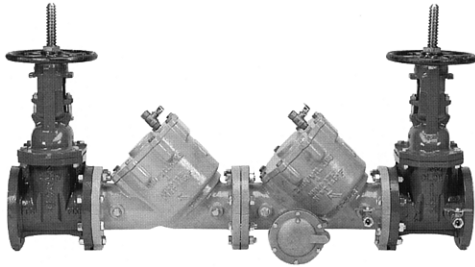


SPECIFICATION SUBMITTAL SHEET



FEATURES

Sizes: 2½" 3" 8" 10"

Maximum working water pressure 175 psi
 Maximum working water temperature 140° F
 End connections flanged ANSI B16.1
 Class 125

OPTIONS

(Suffixes can be combined)

- with NRS gate valves (standard)
- G - with grooved by flanged NRS gate valves
- L - less shut-off valves
- OSY - with OS & Y gate valves
- OSYG - with grooved by flanged OS & Y gate valves
- FS - with cast iron "Y" type flanged strainer
- FSC - with cast iron "Y" type flanged strainer, fusion epoxy coated, inside and out
- BMS - with integral battery-operated relief valve monitor switch
- MS - with integral relief valve monitor switch

ACCESSORIES

- Repair kit (rubber only)
- Air gap (Model AG)
- Water thermal expansion tank (Model WXTP)

APPLICATION

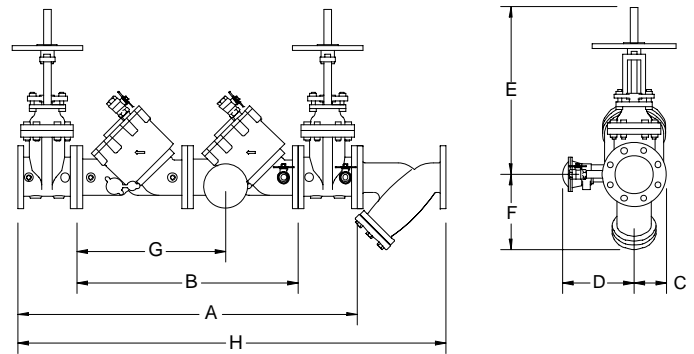
Designed for installation on potable water lines to protect against both backsiphonage and backpressure of contaminated water into the potable water supply. The Model 975 provides protection where a potential health hazard exists.

STANDARDS COMPLIANCE

- ASSE® Listed 1013
- IAPMO® Listed
- CSA® Certified
- UL® Classified
- C-UL® Classified
- FM® Approved
- AWWA Compliant C511
- Approved by the Foundation for Cross-Connection Control and Hydraulic Research at the University of Southern California

MATERIALS

Main valve body Cast iron, ASTM A 126 Class B
 Access covers Cast iron, ASTM A 126 Class B
 Coatings Fusion epoxy finish (FDA approved)
 Internals Stainless steel, 300 Series
 Cast bronze, ASTM B 584
 Elastomers EPDM (FDA approved)
 Buna nitrile (FDA approved)
 Polymers Acetal (Delrin™), NSF® Listed
 Springs Stainless steel, 300 Series

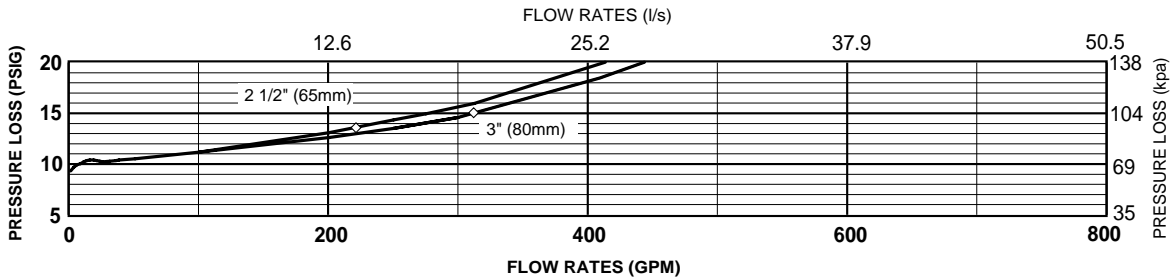


DIMENSIONS & WEIGHTS (do not include pkg.)

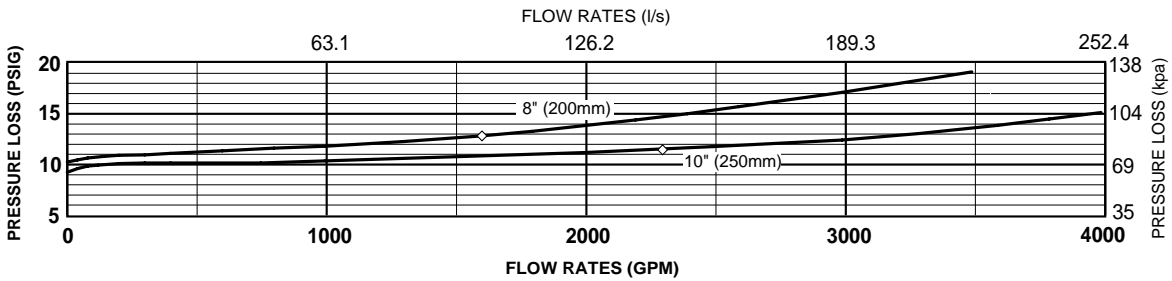
MODEL SIZE	DIMENSIONS (approximate)														WEIGHT												
	A		B WITHOUT GATE VALVES		C		D		E OS&Y GATE VALVE OPEN		E OS&Y GATE VALVE CLOSED		E NRS GATE VALVE		F		G		H		WITHOUT GATE VALVES		WITH NRS GATE VALVES		WITH OS&Y GATE VALVES		
	in.	mm	in.	mm	in.	mm	in.	mm	in.	mm	in.	mm	in.	mm	in.	mm	in.	mm	in.	mm	lbs.	kg	lbs.	kg	lbs.	kg	
2 1/2	65	37 1/8	943	22	559	4	102	10	254	16 3/8	416	13 7/8	352	11 3/8	289	8 3/8	213	16	406	47	1194	91	41.3	193	87.6	201	91.3
3	80	38 1/8	968	22	559	4	102	10	254	18 7/8	479	15 5/8	397	12 3/8	314	9 1/4	235	16	406	48 3/4	1238	91	41.3	215	97.6	221	100.3
8	200	71 1/8	1807	48	1219	7 1/2	191	12	305	37 3/4	959	29 1/4	743	22 1/2	572	17 3/4	451	31	787	95 1/4	2419	837	380	1289	585.2	1313	596
10	250	84 1/8	2137	58	1473	9	229	14	356	45 3/4	1162	35 3/8	899	26 1/2	673	21 1/4	540	41	1041	113 3/4	2889	1400	635.6	2160	980.6	2218	1007

FLOW CHARACTERISTICS

MODEL 975 2 1/2" & 3" (STANDARD & METRIC)



MODEL 975 8" & 10" (STANDARD & METRIC)

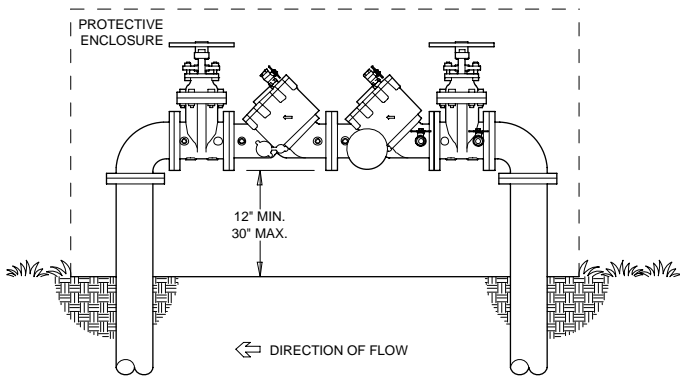


◇ Rated Flow (Established by approval agencies)

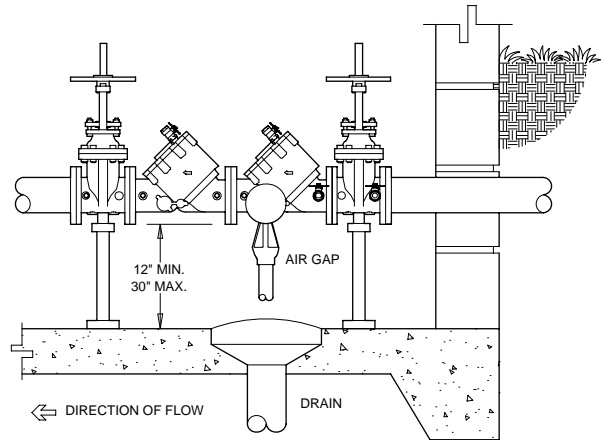
TYPICAL INSTALLATION

Local codes shall govern installation requirements. Unless otherwise specified, the assembly shall be mounted in accordance with the manufacturers' instructions and the latest edition of the Uniform Plumbing Code. Assembly shall be installed with adequate drain and sufficient side clearance for testing and maintenance. The installation shall be made so that no part of the unit can be submerged or where relief valve discharge could cause damage.

Capacity thru Schedule 40 Pipe (GPM)				
Pipe size	5 ft/sec	7.5 ft/sec	10 ft/sec	15 ft/sec
2 1/2"	75	112	149	224
3"	115	173	230	346
4"	198	298	397	595
6"	450	675	900	1351
8"	780	1169	1559	2339
10"	1229	1843	2458	3687



TYPICAL OUTDOOR INSTALLATION



TYPICAL INDOOR INSTALLATION

SPECIFICATIONS

The Reduced Pressure Principle Backflow Prevention Assembly shall be ASSE® 1013 Listed and supplied with full port gate valves. The main body and access covers shall be epoxy coated cast iron (ASTM A 126 Class B), the seat and check valve shall be cast bronze (ASTM B 584), the stem shall be stainless steel (ASTM A 276) and the seat disc elastomers shall be EPDM (FDA approved). The first and second checks shall be accessible for maintenance without removing the relief valve or the entire device from the line. If installed indoors, the installation shall be supplied with an air gap adapter and integral relief valve monitor switch. The Reduced Pressure Principle Backflow Prevention Assembly shall be a WILKINS Model 975.

Page 2 of 2