

SPECIFICATION SUBMITTAL SHEET



FEATURES

Sizes: 3/4" 1"

Maximum working water pressure	175 PSI
Maximum working water temperature	180°F
Hydrostatic test pressure	350 PSI
End connections Threaded FNPT	ANSI B1.20.1

OPTIONS

(Suffixes can be combined)

- with full port QT ball valves (standard)
- L - less ball valves, female pipe thread
- S - with bronze "Y" type strainer
- SE - with street elbows
- FT - with integral male 45° flare SAE test fitting

ACCESSORIES

- Air gap (Model AG)
- Repair kit
- Thermal expansion tank (Model WXTP)
- Soft seated check valve (Model 40XL)
- Shock arrester (Model 1250)
- QT-SET Quick Test Fitting Set
- Test Cock Lock (Model TCL24)
- Blow out / Flush fitting (RK34-375BOF or RK1-375BOF)
- YB Strainer

APPLICATION

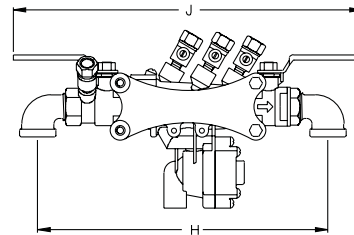
Designed for installation on potable water lines to protect against both backsiphonage and backpressure of contaminated water into the potable water supply. Assembly shall provide protection where a potential health hazard exists.

STANDARDS COMPLIANCE

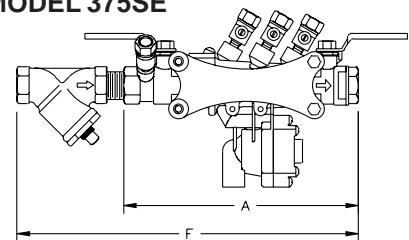
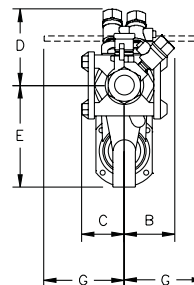
- ASSE® Listed 1013 (horizontal & vertical up)
- IAPMO® Listed (horizontal & vertical up)
- CSA B64.4
- AWWA compliant C511
- Approved by the Foundation for Cross Connection Control and Hydraulic Research at the University of Southern California

MATERIALS

Main valve body	Reinforced Nylon, FDA approved
Fasteners	Stainless Steel, 300 Series
Elastomers	Silicone (FDA Approved) Buna Nitrile (FDA Approved)
Internals	Delrin, Nylon, NSF Listed
Springs	Stainless steel, 300 series
Ball Valves	Cast Bronze, ASTM B 584
Struts	Forged Brass, ASTM B 124



MODEL 375SE

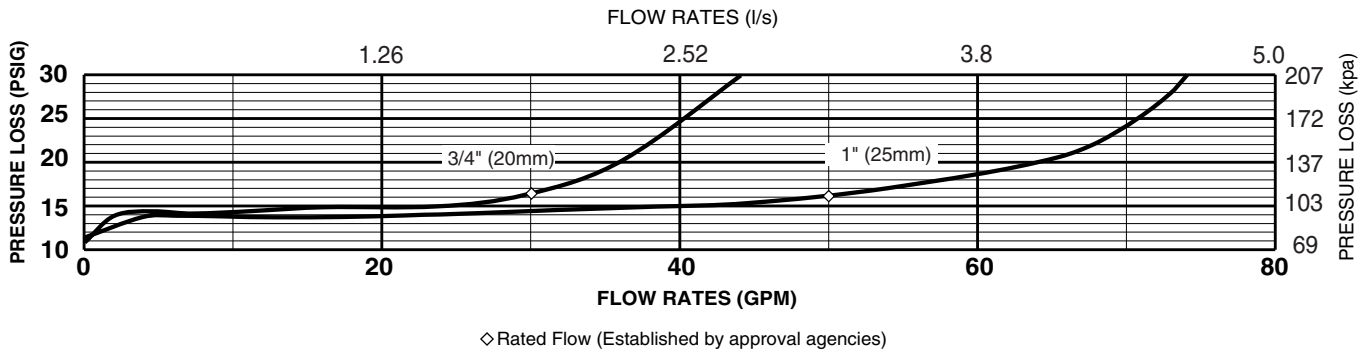


DIMENSIONS & WEIGHTS (do not include pkg.)

MODEL375 SIZE	DIMENSIONS (approximate)																		WEIGHT				
	A		B		C		D		E		F		G (BALL VLV. (CLOSED))		H		J		LESS BALL VALVES		WITH BALL VALVES		
	in.	mm	in.	mm	in.	mm	in.	mm	in.	mm	in.	mm	in.	mm	in.	mm	in.	mm	lbs.	kg	lbs.	kg	
3/4	20	8 7/8	225	1 5/16	33	1 5/8	41	2 15/16	75	3 7/8	98	12 5/8	321	3	76	11	279	12 1/4	311	4.7	2.1	5.7	2.6
1	25	11 3/16	284	2 1/4	57	2 1/4	57	3 7/16	87	4	102	14 9/16	370	4	102	13 3/4	349	15 1/4	387	8.2	3.7	9.7	4.4

FLOW CHARACTERISTICS

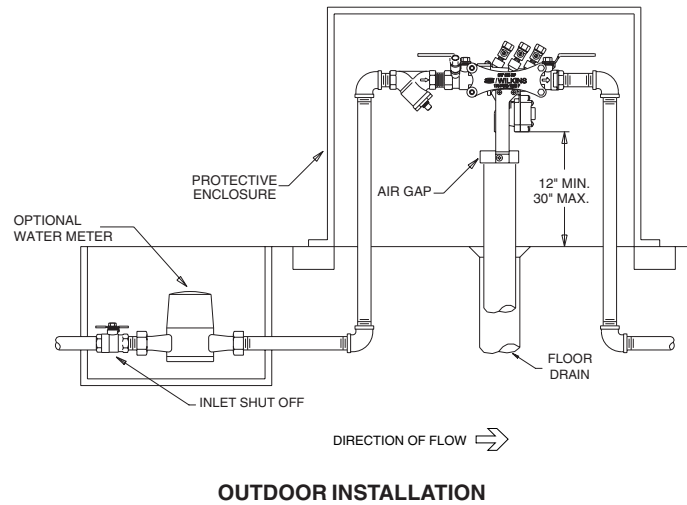
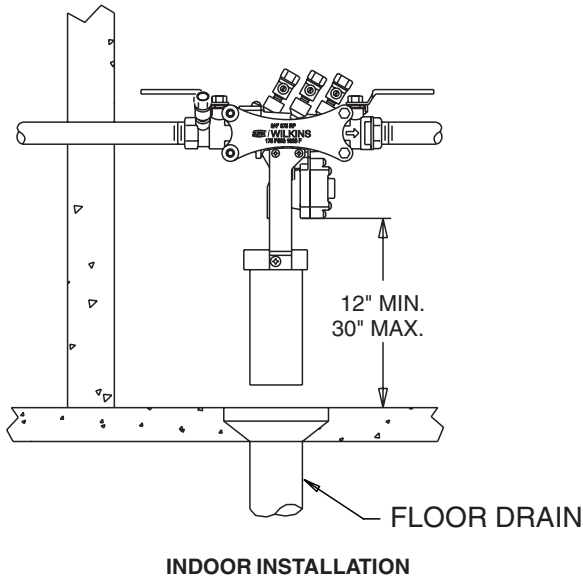
MODEL 375 3/4" & 1" (STANDARD & METRIC)



TYPICAL INSTALLATION

Local codes shall govern installation requirements. To be installed in accordance with the manufacturers' instructions and the latest edition of the Uniform Plumbing Code. Unless otherwise specified, the assembly shall be mounted at a minimum of 12" (305mm) and a maximum of 30" (762mm) above adequate drains with sufficient side clearance for testing and maintenance. The installation shall be made so that no part of the unit can be submerged.

Capacity thru Schedule 40 Pipe				
Pipe size	5 ft/sec	7.5 ft/sec	10 ft/sec	15 ft/sec
3/8"	3	4	6	9
1/2"	5	7	9	14
3/4"	8	12	17	25
1"	13	20	27	40
1 1/4"	23	35	47	70
1 1/2"	32	48	63	95
2"	52	78	105	167



SPECIFICATIONS

The Reduced Pressure Principle Backflow Preventer shall be ASSE® Listed 1013, rated to 180°F and supplied with full port ball valves. The main body shall be Nylon and the seat disc elastomers shall be silicone. If installed indoors, the installation shall be supplied with an air gap adapter. The Reduced Pressure Principle Backflow Preventer shall be a WILKINS Model 375.