

10RS RESILIENT WEDGE GATE

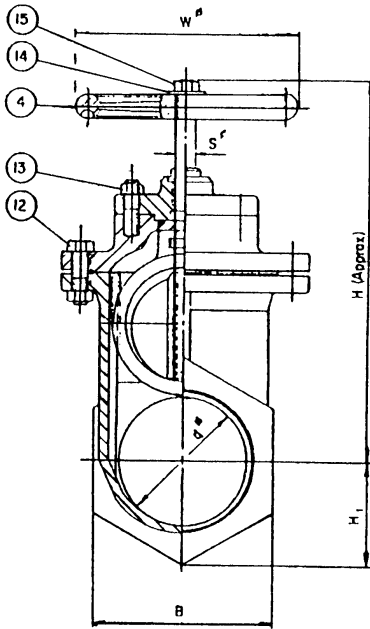
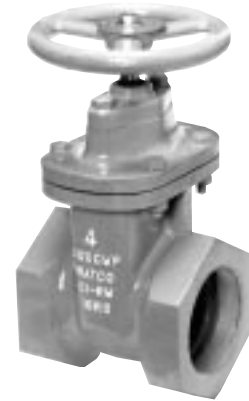


- ❖ Threaded Ends
- ❖ Resilient Wedge
- ❖ Non-Rising Stem
- ❖ Stainless Steel Stem
- ❖ Epoxy Coating - Internal & External

200 PSI NON-SHOCK WOG MAXIMUM TEMPERATURE 140°F

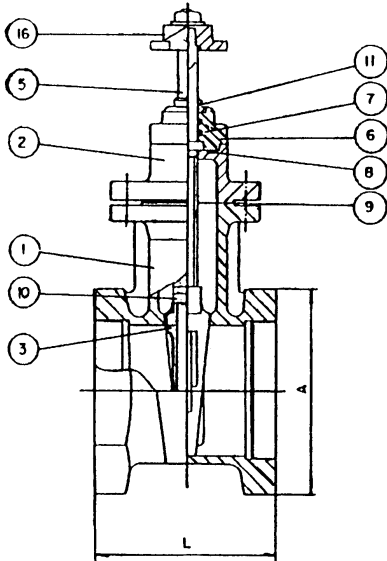
Applications: Irrigation, Potable Water, Turf, Golf Course,
Water Distribution Service & Feed Lines, Sewage Disposal

Tested to AWWA C509 Section 5
ASTM A126 Class B
ISO 9002



DIMENSIONS & WEIGHTS

SIZE dø INCH	L	A	B	Sø	Wø	H1	H	WT .LBS.
2	5.00	3.63	3.13	0.63	6.94	1.81	8.50	16
2.5	5.50	4.31	3.75	0.63	6.94	2.16	9.06	20
3	5.94	5.00	4.31	0.69	7.13	2.50	10.25	26
4	7.50	7.06	6.06	0.81	7.88	3.53	12.50	50
5	8.25	7.94	6.88	0.88	9.88	3.97	14.56	75
6	9.06	9.44	8.19	0.94	9.88	4.72	16.81	84
8	10.00	11.81	10.25	1.00	11.00	5.72	20.88	154



MATERIAL SPECIFICATIONS

NO.	PART	MATERIAL	ASTM DESIGNATION
1	Body	Cast Iron	A 126 Class B
2	Bonnet	Cast Iron	A 126 Class B
3	Disc	Cast Iron Rubber (Buna-N)	A 126 Class B
4	Hand Wheel	Cast Iron	A 126 Class B
5	Stem	Stainless Steel	A 276 Type 304
6	Stuffing Box	Cast Iron	A 126 Class B
7	O-Ring A	Rubber	D 2000 AA 6014
8	O-Ring B	Rubber	D 2000 AA 6014
9	Bonnet Gasket	Rubber	D 2000 AA 6014
10	Stem Nut	Stainless Steel	A 276 Type 304
11	Wiper Ring	Rubber	D 2000 AA 6014
12	Bonnet Bolt & Nut	Steel	A 307 Grade B
13	Stud & Nut	Steel	A 307 Grade B
14	Hand Wheel Washer	Steel	A 284
15	Top Nut	Steel	A 307 Grade B
16	Operating Nut	Cast Iron	A 126 Class B

Product Spec Sheet



BREWSTER: TEL:800-431-2082 FAX: 800-640-2252 HOUSTON: TEL: 800-935-5456 FAX:800-683-4247

PREVIOUS

Click The Product Name Below To Return To That Index
BRASS & BRONZE VALVES CAST IRON VALVES FAUCETS

NEXT