

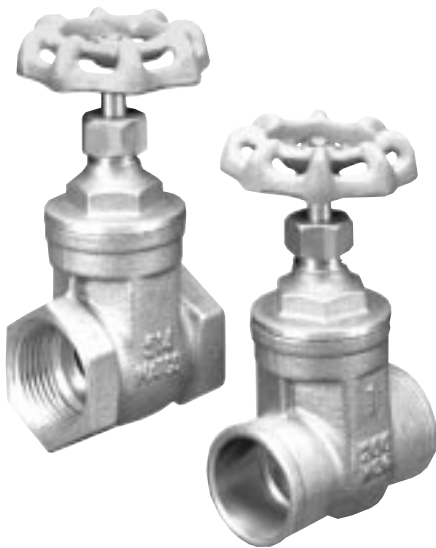
514 FULL PORT GATE VALVE



- ❖ FULL PORT ❖ CAST BRASS ❖ NON-RISING STEM
- ❖ ADJUSTABLE PACKING GLAND ❖ THREADED OR SOLDER ENDS
- 200 PSI NON-SHOCK WOG 125 PSI SWP**

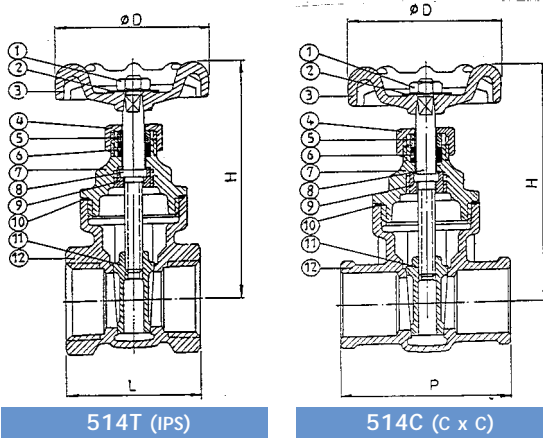
Applications: Commercial and Light Industrial Steam, Water, Oil, or Gas

Threaded Ends Conform to ANSI Standards B2.1
 Solder Ends Conform to ANSI Standards B16.18
 Valves are Tested In Accordance With MSS-SP-82



DIMENSIONS

SIZE (inch)	L	H	ØD	P	WT. (lb)	
					IPS	C x C
1/4"	1.71	2.83	2.01	*	.62	-
3/8"	1.71	2.83	2.01	1.69	.58	-
1/2"	1.71	2.91	2.01	1.69	.60	.56
3/4"	1.81	3.31	2.21	2.32	.82	.82
1"	2.13	3.91	2.56	2.72	1.18	1.08
1-1/4"	2.24	4.61	2.76	2.93	1.66	1.52
1-1/2"	2.44	5.08	3.11	3.28	2.14	1.88
2"	2.68	6.00	3.70	3.97	3.26	3.04
2-1/2"	3.70	6.89	4.02	4.61	6.08	5.04
3"	4.02	8.50	5.00	5.20	8.34	7.76
4"	4.53	9.89	5.00	-	12.64	-



MATERIAL SPECIFICATIONS

NO.	PART	MATERIAL	ASTM SPEC
1	Wheel Nut	Plated Steel	Commercial
2	Name Plate	Aluminum	Commercial
3	Hand Wheel	Cast Iron	Commercial
4	Packing Nut	Brass Rod	ASTM B16 GR3600
5	Gland	Brass Rod	ASTM B16 GR3600
6	Gland Packing	Graphite	Non Asbestos
7	Bonnet	Cast Brass	ASTM B584 GRC85700
8	Stem	Brass Rod	ASTM B16 GR3600
9	Lock Nut	Brass Rod	ASTM B16 GR3600
10	Gasket	Fiber (2-1/2"-4")	Non Asbestos
11	Disc	Cast Brass	ASTM B584 GRC85700
12	Body	Cast Brass	ASTM B584 GRC85700



BREWSTER: TEL: 800-431-2082 FAX: 800-640-2252 HOUSTON: TEL: 800-935-5456 FAX: 800-683-4247

Product Spec Sheet