

754 BRASS BALL VALVE



- ❖ FULL PORT
 - ❖ FORGED BRASS
 - ❖ CHROME PLATED BALL
 - ❖ TWO PIECE BODY
 - ❖ TEFLON SEATS
 - ❖ BLOW OUT PROOF STEM
- 600 PSI NON-SHOCK WOG 150 PSI SWP**

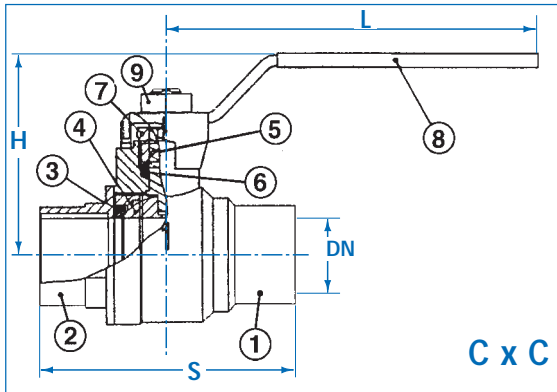
Applications: Commercial and Light Industrial for Water, Oil, Gas, Steam

Conforms to specification of MSS-SP-110
 Threaded ends comply with ANSI B2.1
 Solder ends meet ANSI B16.18
 ISO-9002



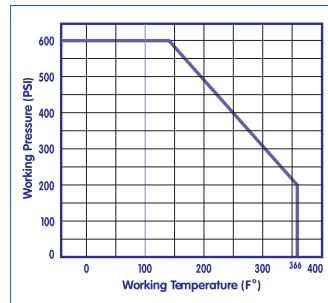
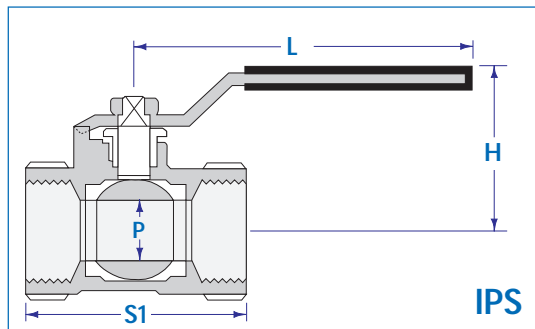
DIMENSIONS & WEIGHTS

SIZE (inch)	S	L	H	S1	DN	WT. (lb)	
						IPS	C-C
1/4"	1.73	3.03	1.61	*	.39	.33	*
3/8"	1.73	3.03	1.61	*	.39	.29	*
1/2"	1.97	3.93	1.81	2.36	.59	.46	.49
3/4"	2.29	3.93	1.93	3.11	.79	.64	.79
1"	2.68	4.72	2.44	3.82	.98	1.52	1.24
1-1/4"	3.15	4.72	2.64	3.86	1.26	1.51	1.80
1-1/2"	3.66	6.19	3.34	4.41	1.58	2.58	3.00
2"	4.33	6.19	3.62	5.32	1.97	4.16	4.36



MATERIAL SPECIFICATIONS

1	Body	Forged Brass	B124-C37700
2	End Plug	Forged Brass	B124-C37700
3	Seat	Teflon	PTFE
4	Ball	Brass Chrome Plated	B16-C36000 B124-C37700
5	Stem	Brass	B16-C36000
6	Stem Seal	Teflon	PTFE
7	Stem Gland	Brass	B16-C36000
8	Handle	Steel	A283-D
9	Nut	Brass	B16-C36000



Product Specs sheet



BREWSTER: TEL:800-431-2082 FAX: 800-640-2252 HOUSTON: TEL: 800-935-5456 FAX:800-683-4247