

770 COMPACT PATTERN PVC BALL VALVE



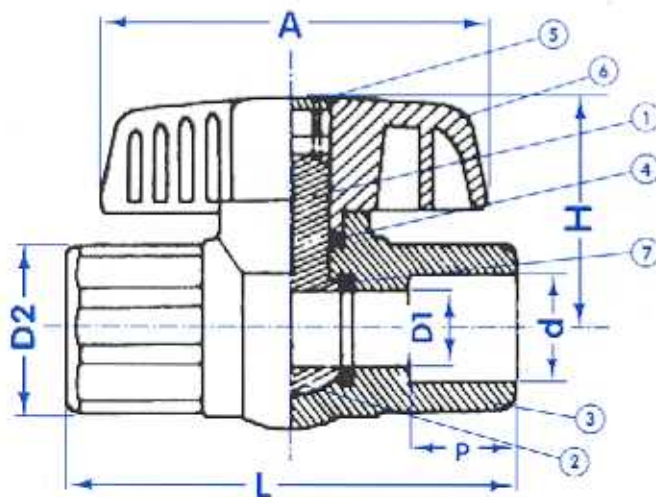
- ◆ IPS or Solvent Ends for Schedule 40 or 80 Pipe
- ◆ NSF 61 P.W. ◆ EPDM O-Ring and Seats

150 PSI@73°F 50 PSI@ MAXIMUM TEMPERATURE OF 150°F

Applications: Residential and Commercial Water Systems, Agricultural Irrigation, Waste Water, Mild Chemicals, Swimming Pools, Water Treatment
Not Recommended for Compressed Air

Product Spec Sheet

ISO 9002



MATERIAL SPECIFICATIONS

NO.	PART	MATERIAL
1	Stem	PVC
2	Ball	PVC
3	Body	PVC
4	O-Ring	EPDM
5	Cap	ABS
6	Handle	ABS
7	Seat	EPDM

DIMENSIONS & WEIGHTS

SIZE (Inch)	L	D2	D1	d	P	H	A
1/2"	3.11	1.38	.59	.84	.09	1.85	2.76
3/4"	3.54	1.58	.79	1.05	1.00	2.24	3.03
1"	4.13	1.89	.98	1.32	1.13	2.40	3.50
1-1/4"	4.76	2.13	1.26	1.66	1.25	2.60	3.50
1-1/2"	5.00	2.44	1.54	1.90	1.38	2.91	4.37
2"	5.87	2.95	1.97	2.38	1.50	3.15	5.47
2-1/2"	7.64	7.64	1.97	2.88	1.75	5.08	6.77
3"	9.17	9.17	2.56	3.50	1.88	5.51	7.48
4"	9.61	9.61	3.07	4.50	2.25	6.58	9.06



Brewster, NY Toll Free:
TEL: 800-431-2082
FAX: 800-640-2252

Houston, TX Toll Free:
TEL: 800-935-5456
FAX: 800-683-4247

La Palma, CA Toll Free:
TEL: 866-532-8306
FAX: 866-532-8307

e-mail: mail@matco-norca.com

www.matco-norca.com