

250 PSI CWP Iron Body Gate Valves

Bolted Bonnet • Non-Rising Stem • Resilient Wedge • IPS PVC Push-on

250 PSI/17.2 Bar Non-Shock Cold Working Pressure

CONFORMS TO AWWA C509

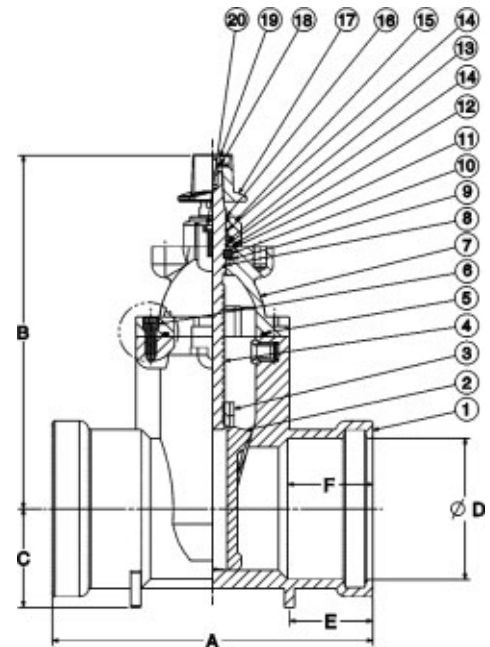
MATERIAL LIST

PART	SPECIFICATION
1. Valve Body	Cast Iron ASTM A 126-B
2. Resilient Wedge	Ductile Iron ASTM A 536/EPDM ASTM D 2000
3. Wedge Nut	Bronze ASTM B 584 UNS C83600
4. Stem	Stainless Steel ASTM A 276 UNS S41000
5. Bonnet Gasket	EPDM ASTM D 2000
6. Bonnet Screw	Alloy Steel ASTM A 574M Zinc Plated
7. Bonnet	Cast Iron ASTM A 126-B
8. Stem Primary O-Ring	EPDM ASTM D 2000
9. Stem Thrust Washer (lower)	Nylon 1010
10. Stem Collar	Brass ASTM B 16 UNS C36000
11. Stem Thrust Washer (upper)	Stainless Steel ASTM A 276 UNS S41000
12. Gland Seal O-Ring	EPDM ASTM D 2000
13. Stem Seal Bushing	Nylon 1010
14. Stem Secondary O-Ring (2)	EPDM ASTM D 2000
15. Gland Flange	Ductile Iron ASTM A 536
16. Stem Ring Wiper	EPDM ASTM D 2000
17. Square Operating Nut	Cast Iron ASTM A 126-B
17A. Handwheel (Optional)	Ductile Iron ASTM A 536
18. Operating Nut Washer	Carbon Steel Zinc Plated
19. Operating Nut Screw	Alloy Steel ASTM A 574M Zinc Plated
20. Gland Flange Screw	Alloy Steel ASTM A 574M Zinc Plated

Coating – Electrostatically applied fusion-bonded epoxy 10-14 mil. inside and outside. Meets or exceeds AWWA C550. Coating is NSF and FDA certified.
Maximum operating temperature 160° F/71° C.



P-619-RW
IPS Push-On



P-619-RW
IPS Push-On

DIMENSIONS—WEIGHTS—QUANTITIES

Size	Dimensions												Handwheel (Opt.)	Turns to Open	Weight	
	A		B		C		D		E		F				Lbs.	Kg.
In. mm.	In. mm.	In. mm.	In. mm.	In. mm.	In. mm.	In. mm.	In. mm.	In. mm.	In. mm.	In. mm.	In. mm.	In. mm.				
2	50 11.4	289 10.2	259 2.4	60 2.48	63 2.3	58 2.7	69 7.9	200 6.5	24 11							
2½	65 11.4	289 11.3	288 2.6	67 2.99	76 2.3	58 2.7	69 7.9	200 8.8	32 15							
3	80 11.3	287 12.7	322 3.1	80 3.62	92 2.2	56 3.0	75 10.2	250 10.6	40 18							
4	100 11.7	298 13.4	341 3.5	90 4.65	118 2.5	63 3.5	89 10.2	260 12.8	56 25							
6	150 15.3	388 17.0	431 4.7	120 6.77	172 4.0	101 4.1	103 14.8	375 15.6	106 48							
8	200 16.5	418 20.4	518 5.9	150 8.74	222 3.0	77 4.5	115 14.8	375 17.3	172 78							
10	250 21.2	539 23.8	604 7.1	180 10.94	278 3.7	93 5.2	132 15.7	400 21.3	307 140							
12	300 26.5	672 27.0	685 8.1	206 12.89	327.5 4.1	103 5.5	139 19.7	500 25.3	447 203							

FREEZING WEATHER PRECAUTION: Subsequent to testing a piping system, valves should be left in an open position to allow complete drainage.