

# PVC Ball Valves

One-Piece Molded PVC Body • Threaded or Socket Ends

**150 PSI/10.3 Bar Non-Shock Cold Working Pressure to 73° F/23° C**  
**Compliant to NSF/ANSI 61**

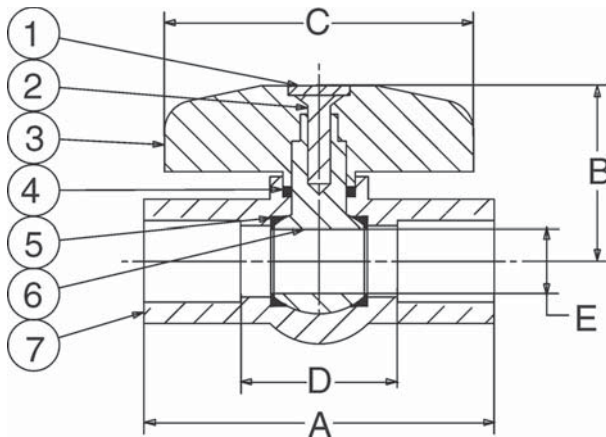


**4660-S**  
Socket Weld

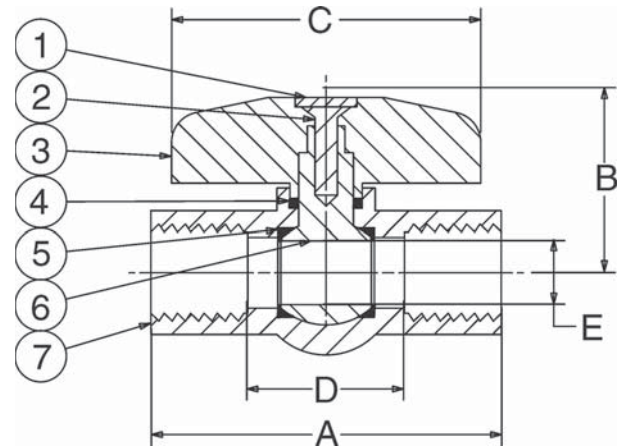
**4660-T**  
Threaded  
(not shown)

## MATERIAL LIST

PART	SPECIFICATION
1. Handle Cap	ABS
2. Screw	Zinc Plated Steel
3. Handle	ABS
4. O-Ring	EPDM
5. Seat Seal	PTFE, EPDM
6. Ball	PVC
7. Body	PVC



**4660-S**  
Socket x Socket



**4660-T**  
Threaded x Threaded

## DIMENSIONS—WEIGHTS—QUANTITIES

Size	Dimensions										4660-S		4660-T		
	A		B		C		D		E		Lbs.	Kg.	Lbs.	Kg.	
In.	mm.	In.	mm.	In.	mm.	In.	mm.	In.	mm.	In.	mm.	Lbs.	Kg.	Lbs.	Kg.
½	15	3.27	83	1.69	42	2.76	70	1.52	39	0.55	14	0.17	0.08	0.18	0.08
¾	20	3.74	95	2.13	54	3.46	88	1.74	44	0.79	20	0.30	0.14	0.32	0.14
1	25	4.17	106	2.56	65	3.94	100	1.92	49	0.98	25	0.47	0.21	0.51	0.23
1 ¼	32	4.49	114	2.64	67	3.94	100	1.99	50	1.18	30	0.58	0.26	0.63	0.29
1 ½	40	5.12	130	3.07	78	4.29	109	2.37	61	1.42	36	0.91	0.41	0.97	0.44
2	50	5.79	147	3.50	89	5.28	134	2.79	71	1.83	46	1.50	0.68	1.60	0.73
2 ½	65	8.03	204	4.13	105	7.01	178	4.53	115	2.36	60	2.78	1.26	2.93	1.33
3	80	9.01	229	4.88	124	8.82	224	5.27	134	3.03	77	4.05	1.84	4.33	1.97
4	100	11.81	300	5.83	148	10.87	276	7.31	197	3.98	101	8.18	3.92	8.44	3.84

Socket ends per ASTM D 2466

Thread ends per ANSI B1.20.1