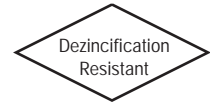


125 PSI CWP Bronze Globe Valves

Screw-in Bonnet • Integral Seat • Resilient Seat



125 PSI/8.6 Bar Non-Shock Cold Working Pressure

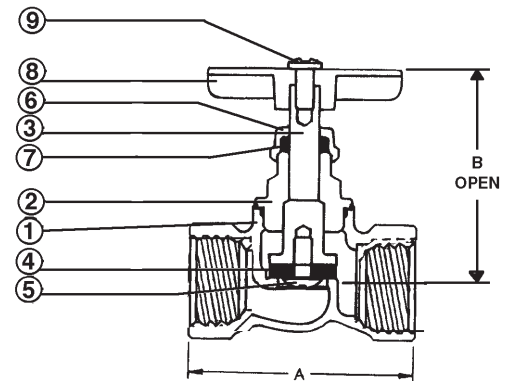
MATERIAL LIST

PART	SPECIFICATION
1. Body	Cast Copper-based Alloy C84400
2. Bonnet	Cast Copper-based Alloy C84400
3. Stem	Cold-formed Copper Alloy
4. Seat Disc	Buna-N Rubber
5. Seat Disc Screw	Stainless Steel Type 430
6. Packing Nut	Free Cutting Brass ASTM B 16
7. Packing	Graphite Impregnated Asbestos-Free
8. Handwheel	Cast Copper-based Alloy C83800
9. T-Handle Screw	Stainless Steel

Maximum operating temperature 180° F/82° C.



75-K
Threaded
with Cross Handle



75-K
NPT x NPT

DIMENSIONS—WEIGHTS—QUANTITIES

Size	Dimensions				75-K		Master Ctn. Qty.
	A		B		Lbs.	Kg.	
In. mm.	In.	mm.	In.	mm.			
½ 15	2.13	54	2.44	62	.4	.18	100
¾ 20	2.25	57	2.44	62	.5	.23	100

Freezing Weather Precaution – Subsequent to testing a piping system, valves should be in an open position to allow complete drainage.