

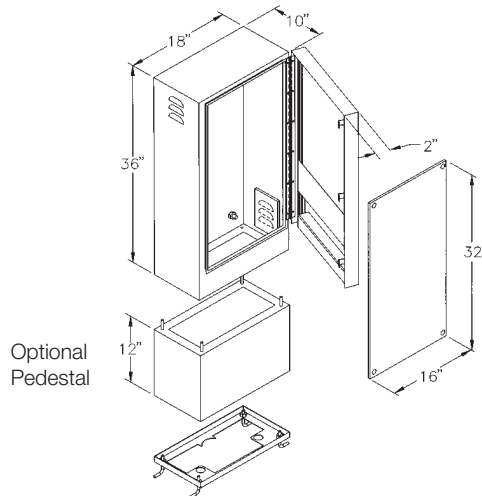


THE ULTIMATE ENCLOSURE WEATHER RESISTANT—VANDAL RESISTANT

- 100% stainless steel construction assures long-term, rustproof durability and additional strength
- Three-point locking mechanism, flush-mounted access handle and heavy duty continuous hinge ensures maximum security
- Removable, predrilled backboard provides for easy installation and an attractive finished product
- Chameleon effect of the natural brushed stainless steel finish provides an unobtrusive quality
- Large door-mounted storage area provides easy access to plans and scheduling information
- Filtered side louvers at bottom and top allow cross flow ventilation
- Ten year limited warranty
- NEMA TYPE 3R rated
- All stainless steel enclosures may be powder coated in many colors at an additional charge

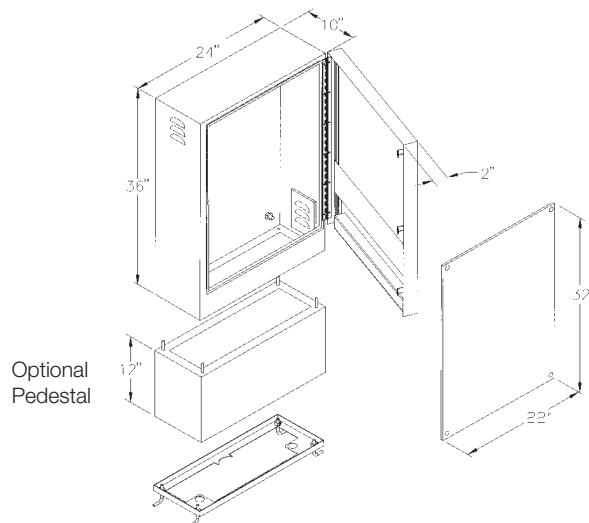
SB-18SS 18" Wide Enclosure

- 18" Wide, 36" High, 12" Deep
- 100% Stainless Steel
- Weather & Vandal Resistant
- UL Listed
- NEMA TYPE 3R Rated
- Three-Point Locking System
- Removable, Predrilled Backboard
- Large Door-Mounted Storage
- Louvered For Ventilation



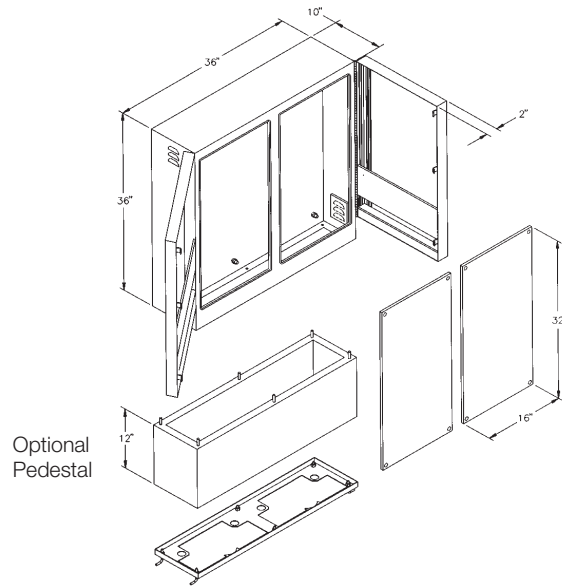
SB-24SS 24" Wide Enclosure

- 24" Wide, 36" High, 12" Deep
- 100% Stainless Steel
- Weather & Vandal Resistant
- UL Listed
- NEMA TYPE 3R Rated
- Three-Point Locking System
- Removable, Predrilled Backboard
- Large Door-Mounted Storage
- Louvered For Ventilation



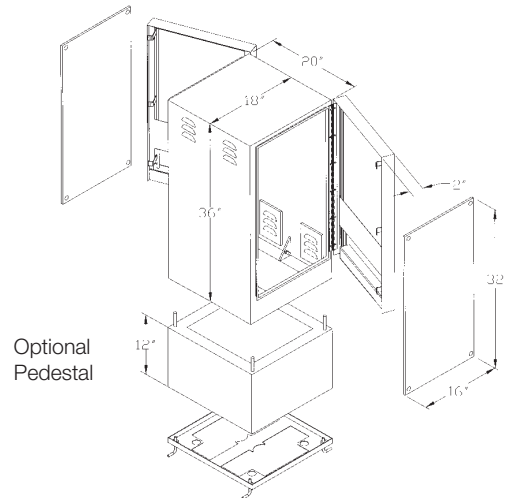
SB-36SS 36" Wide Double Door Enclosure

- 36" Wide, 36" High, 12" Deep
- 100% Stainless Steel
- Weather & Vandal Resistant
- UL Listed
- NEMA TYPE 3R Rated
- Three-Point Locking System
- Two Removable, Predrilled Backboards
- Large Door-Mounted Storage
- Louvered For Ventilation



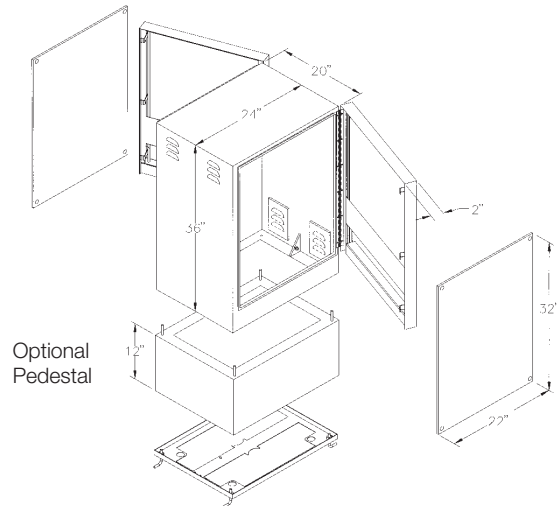
SB-18DSS 18" Wide Double Door Enclosure

- 18" Wide, 36" High, 24" Deep
- 100% Stainless Steel
- Weather & Vandal Resistant
- UL Listed
- NEMA TYPE 3R Rated
- Three-Point Locking System
- Two Removable, Predrilled Backboards
- Large Door-Mounted Storage
- Louvered For Ventilation



SB-24DSS 24" Wide Double Door Enclosure

- 24" Wide, 36" High, 24" Deep
- 100% Stainless Steel
- Weather & Vandal Resistant
- UL Listed
- NEMA TYPE 3R Rated
- Three-Point Locking System
- Two Removable, Predrilled Backboards
- Large Door-Mounted Storage
- Louvered For Ventilation



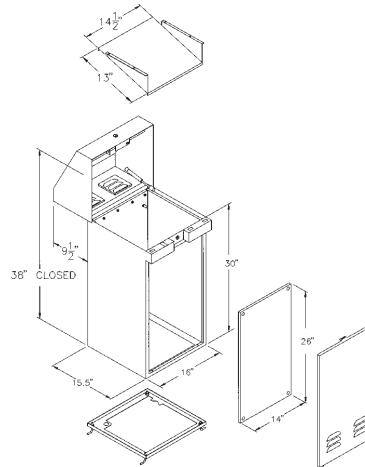


THE ULTIMATE TOP ENTRY ENCLOSURE WEATHER RESISTANT—VANDAL RESISTANT

- 100% stainless steel construction assures long-term, rustproof durability and additional strength
- Three-point locking mechanism and heavy duty continuous hinge ensures maximum security
- 38" height with flip top access provides for ease of viewing and programming
- Louvers at top and bottom allow cross flow ventilation
- Filter screens deflect errant water spray and protect against entry of dirt and insects
- Dual pistons allow for easy opening and closing of lid
- Easy access to predrilled removable backboard
- Ten year limited warranty
- NEMA TYPE 3R rated
- All stainless steel enclosures may be powder coated in many colors at an additional charge

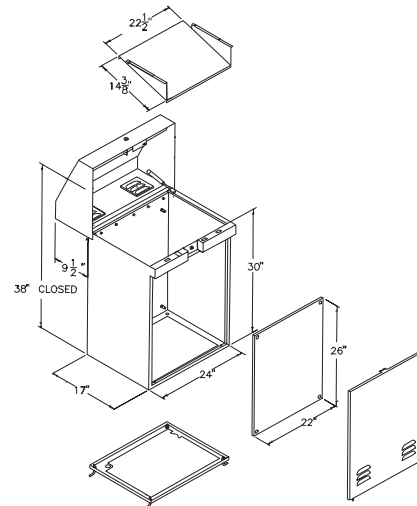
SB-16SS 16" Wide Top Entry Enclosure

- 16" Wide, 38" High, 15.5 Deep
- 100% Stainless Steel
- Weather & Vandal Resistant
- UL Listed
- NEMA TYPE 3R Rated
- Three-Point Locking System
- Removable, Predrilled Backboard
- Large Door-Mounted Storage
- Louvered For Ventilation



SB-22SS 24" Wide Top Entry Enclosure

- 24" Wide, 38" High, 17" Deep
- 100% Stainless Steel
- Weather & Vandal Resistant
- UL Listed
- NEMA TYPE 3R Rated
- Three-Point Locking System
- Removable, Predrilled Backboard
- Large Door-Mounted Storage
- Louvered For Ventilation



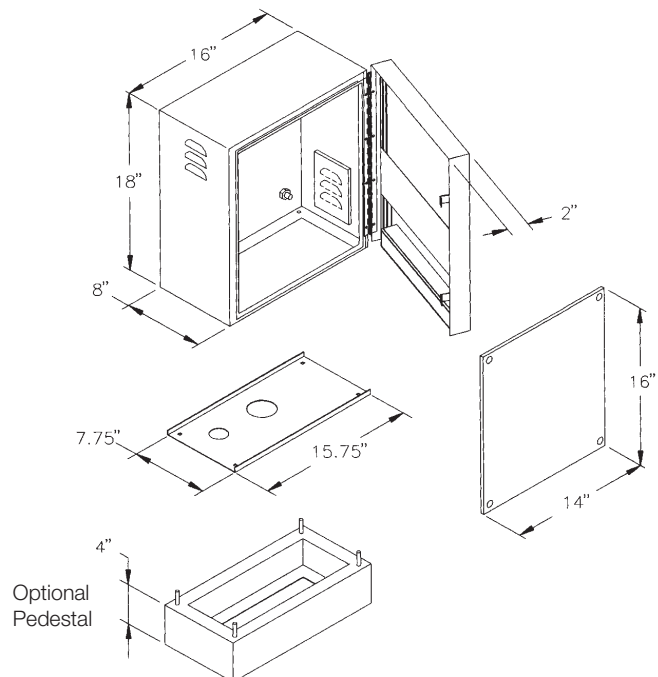


THE ULTIMATE WALL MOUNT ENCLOSURE— WEATHER RESISTANT VANDAL RESISTANT

- 100% stainless steel construction assures long-term, rust-proof durability and additional strength
 - Flush-mounted access handle and dual locking system ensures maximum security
 - Carriage bolted, heavy duty continuous hinge enhances appearance and allows for easy removal of door for maintenance
 - Chameleon effect of the natural brushed stainless steel finish provides an unobtrusive quality
 - Louvers at top and bottom allow cross flow ventilation
 - Filter screens deflect errant water spray and protect against entry of dirt and insects
 - Water tight seal and continuous drainage channel ensure weather protection
 - Predrilled, removable backboard for easy installation
 - Compact design allows for wall mount or low profile pedestal mount
 - Prepunched access holes in bottom for high and low voltage wires
- Ten year limited warranty
 - UL Listed
 - NEMA TYPE 3R rated
 - All stainless steel enclosures may be powder coated in many colors at an additional charge

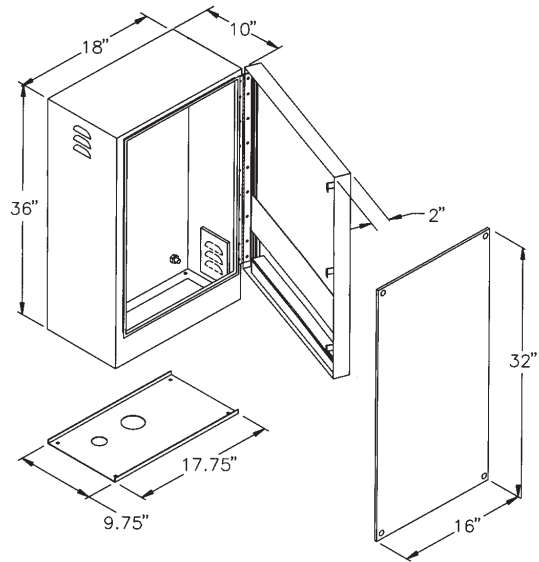
SB-16SSW 16" Wide Wall Mount Enclosure

- 16" Wide, 18" High, 10" Deep
- 100% Stainless Steel
- Weather & Vandal Resistant
- UL Listed
- NEMA TYPE 3R Rated
- Two-Point Locking System
- Removable, Predrilled Backboard
- Large Door-Mounted Storage
- Louvered For Ventilation



SB-18SSW**18" Wide Wall Mount Enclosure**

- 18" Wide, 36" High, 12" Deep
- 100% Stainless Steel
- Weather & Vandal Resistant
- UL Listed
- NEMA TYPE 3R Rated
- Three-Point Locking System
- Removable, Predrilled Backboard
- Large Door-Mounted Storage
- Louvered For Ventilation

**SB-24SSW****24" Wide Wall Mount Enclosure**

- 24" Wide, 36" High, 12" Deep
- 100% Stainless Steel
- Weather & Vandal Resistant
- UL Listed
- NEMA TYPE 3R Rated
- Three-Point Locking System
- Removable, Predrilled Backboard
- Large Door-Mounted Storage
- Louvered For Ventilation

