



**SMOOTH TOUCH™ VANDAL RESISTANT
BACKFLOW ENCLOSURE**

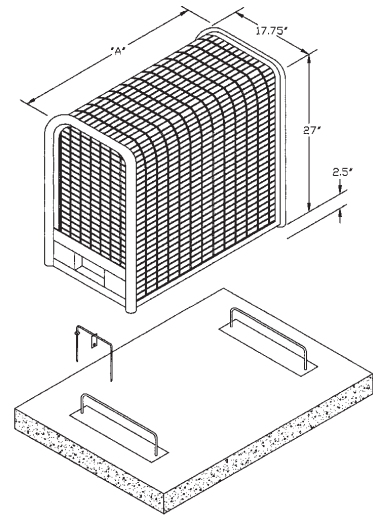
- Tube and wire construction provides a smooth surface to protect against handling injury
- Architectural lines of the enclosure blend beautifully into the landscape environment
- Coated with a performance polymer alloy coating to prevent handling injury.
- Stainless Steel full release locking mechanism requires no tools and provides easy access for service and repair
- One year limited warranty
- Standard colors for powder coated enclosures are dark green and tan. All other colors are available at an extra charge

Low Profile Smooth Touch™ Enclosure

	"A" Length	Height	Width
SBBC-30CR	31.5"	29.5"	17.75"
SBBC-45CR	46.5"	29.5"	17.75"

Note: For inside dimensions, see Backflow Cover Sizing Chart on page 18.

- Stainless Steel Hardware
- Weather Resistant
- Patented Locking System Accepts Padlock
- Removable Without Tools
- Minimal Surface Area Deters Graffiti

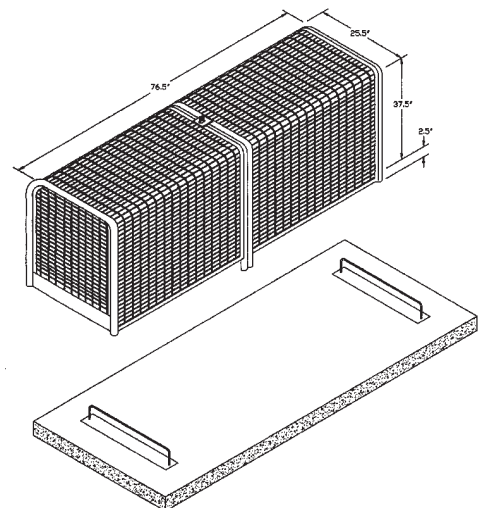


High Profile Smooth Touch™ Enclosure

	"A" Length	Height	Width
SBBC-40CR	40"	39"	25.5"
SBBC-75CR	76.5"	39"	25.5"

Note: For inside dimensions, see Backflow Cover Sizing Chart on page 18.

- Stainless Steel Hardware
- Weather Resistant
- Patented Locking System Accepts Padlock
- Removable Without Tools
- Minimal Surface Area Deters Graffiti





EXPANDED METAL VANDAL RESISTANT BACKFLOW COVER

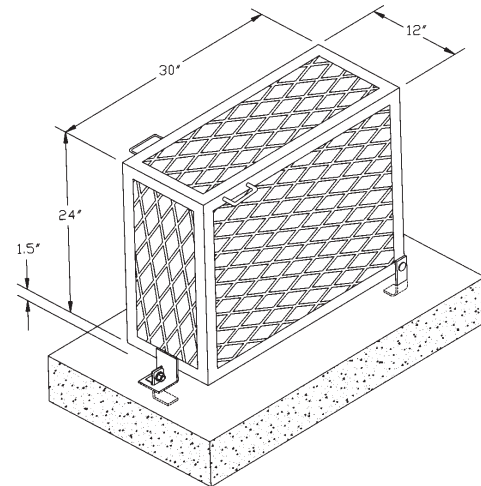
- 1 1/2" number 9, flattened expanded metal allows full viewing of backflow preventer
- 10 gauge cold rolled, formed steel frame provides strength and stability
- Lock tab provides for use of padlock
- Easy lift handles and hinges access provides for service and testing
- Coated with a performance polymer alloy coating to prevent handling injury.
- Open diamond-patterned panels minimizes surface area for graffiti
- One year limited warranty
- Standard colors for powder coated enclosures are dark green and tan. All other colors are available at an extra charge

Low Profile Expanded Metal Cover

	"A" Length	Height	Width
BC-30CR	30"	25.5"	12"
BC-45CR	45"	31.5"	18"

Note: For inside dimensions, see Backflow Cover Sizing Chart on page 18.

- Plasticote Powder Coat Finish
- Accepts Padlock
- Hinged For Easy Access
- Minimized Surface Area for Graffiti

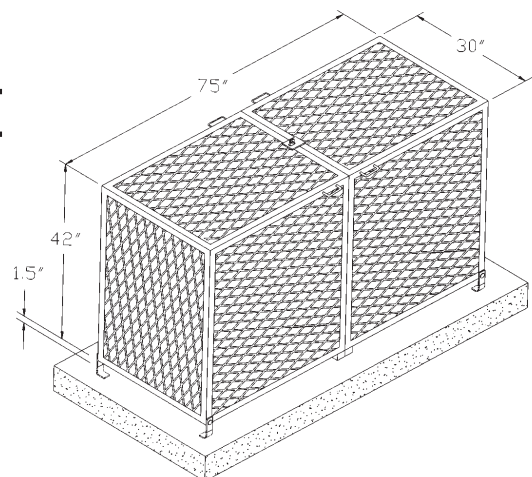


High Profile Expanded Metal Cover

	"A" Length	Height	Width
BC-75CR	75"	431.5"	30"

Note: For inside dimensions, see Backflow Cover Sizing Chart on page 18.

- Plasticote Powder Coat Finish
- Accepts Padlock
- Hinged For Easy Access
- Minimized Surface Area for Graffiti



Febco										
Model	Size	Device Length	Installed Height	Nipple Length	Nipple Total	Elbow Total	Total Inches	Aluminum Model No.	Smooth Touch Model No.	Expanded Metal Model No.
825Y & 860U	3/4"	12.250	19.375	3"	5.000	4.000	21.250	SBBC-30AL	SBBC-30SS & CR	BC-30CR
	1"	13.625	19.375	3"	5.000	5.000	23.625	SBBC-30AL	SBBC-30SS & CR	BC-30CR
	1 1/4"	14.250	19.375	3"	5.000	5.500	24.750	SBBC-45AL	SBBC-45SS & CR	BC-45CR
	1 1/2"	18.250	21.750	3"	5.000	6.000	29.250	SBBC-45AL	SBBC-45SS & CR	BC-45CR
	2"	19.000	21.750	3"	5.000	7.500	31.500	SBBC-45AL	SBBC-45SS & CR	BC-45CR
825YA & 880	3/4"	10.000	18.000	n/a	n/a	n/a	10.000	SBBC-15AL	SBBC-30SS & CR	BC-30CR
	1"	10.250	18.375	n/a	n/a	n/a	10.250	SBBC-15AL	SBBC-30SS & CR	BC-30CR
	1 1/2"	14.250	20.000	n/a	n/a	n/a	14.250	SBBC-30AL	SBBC-30SS & CR	BC-30CR
	2"	14.875	21.000	n/a	n/a	n/a	14.875	SBBC-30AL	SBBC-30SS & CR	BC-30CR
825YD	2 1/2"	37.188	28.000	n/a	n/a	17.000	54.188	SBBC-60ALHP	SBBC-75SS & CR	BC-75CR
	3"	41.687	29.750	n/a	n/a	18.500	60.187	SBBC-75ALHP	SBBC-75SS & CR	BC-75CR
	4"	50.438	33.875	n/a	n/a	22.000	72.438	SBBC-75ALHP	SBBC-75SS & CR	BC-75CR
	6"	59.687	38.750	n/a	n/a	27.000	86.687	SBBC-90ALHP	N/A	N/A
860U	2 1/2"	40.750	28.625	n/a	n/a	17.000	57.750	SBBC-60ALHP	SBBC-75SS & CR	BC-75CR
	3"	41.875	28.625	n/a	n/a	18.500	60.375	SBBC-75ALHP	SBBC-75SS & CR	BC-75CR
	4"	46.250	30.000	n/a	n/a	22.000	68.250	SBBC-75ALHP	SBBC-75SS & CR	BC-75CR
	6"	58.000	33.700	n/a	n/a	27.000	85.000	SBBC-90ALHP	N/A	N/A
	8"	65.000	47.750	n/a	n/a	32.500	97.500	CALL FACTORY	N/A	N/A
880	2 1/2"	25.750	28.625	n/a	n/a	n/a	25.750	SBBC-40ALHP	SBBC-40SS & CR	BC-75CR
	3"	25.750	28.625	n/a	n/a	n/a	25.750	SBBC-40ALHP	SBBC-40SS & CR	BC-75CR
	4"	27.875	30.000	n/a	n/a	n/a	27.875	SBBC-40ALHP	SBBC-40SS & CR	BC-75CR
	6"	32.188	33.700	n/a	n/a	n/a	32.188	SBBC-40WALHP	N/A	BC-75CR

Watts										
Model	Size	Device Length	Installed Height	Nipple Length	Nipple Total	Elbow Total	Total Inches	Aluminum Model No.	Smooth Touch Model No.	Expanded Metal Model No.
009QT	3/4"	14.750	17.500	3"	5.000	4.000	23.750	SBBC-30AL	SBBC-30SS & CR	BC-30CR
	1"	16.750	17.500	3"	5.000	5.000	26.750	SBBC-45AL	SBBC-45SS & CR	BC-45CR
	1 1/4"	21.125	19.750	3"	5.000	5.500	31.625	SBBC-45AL	SBBC-45SS & CR	BC-45CR
	1 1/2"	22.000	19.750	3"	5.000	6.000	33.000	SBBC-45AL	SBBC-45SS & CR	BC-45CR
	2"	23.750	19.750	3"	5.000	7.500	36.250	SBBC-45AL	SBBC-45SS & CR	BC-45CR
	2 1/2"	33.250	27.675	n/a	n/a	17.000	50.250	SBBC-60ALHP	SBBC-75SS & CR	BC-75CR
	3"	34.250	29.050	n/a	n/a	18.500	52.750	SBBC-60ALHP	SBBC-75SS & CR	BC-75CR
U009AQT	3/4"	16.250	17.500	n/a	n/a	n/a	16.250	SBBC-30AL	SBBC-30SS & CR	BC-30CR
	1"	16.250	17.500	n/a	n/a	n/a	16.250	SBBC-30AL	SBBC-30SS & CR	BC-30CR
	1 1/2"	19.875	19.750	n/a	n/a	n/a	19.875	SBBC-30AL	SBBC-30SS & CR	BC-30CR
	2"	19.875	19.750	n/a	n/a	n/a	19.875	SBBC-30AL	SBBC-30SS & CR	BC-30CR
909	2 1/2"	41.250	28.250	n/a	n/a	17.000	58.250	SBBC-75ALHP	SBBC-75SS & CR	BC-75CR
	3"	42.250	28.250	n/a	n/a	18.500	60.750	SBBC-75ALHP	SBBC-75SS & CR	BC-75CR
	4"	55.125	32.000	n/a	n/a	22.000	77.125	SBBC-90ALHP	N/A	N/A
	6"	65.500	34.000	n/a	n/a	27.000	92.500	CALL FACTORY	N/A	N/A

Wilkins										
Model	Size	Device Length	Installed Height	Nipple Length	Nipple Total	Elbow Total	Total Inches	Aluminum Model No.	Smooth Touch Model No.	Expanded Metal Model No.
575	3/4"	13.750	21.250	3"	5.000	4.000	22.750	SBBC-30AL	SBBC-30SS & CR	BC-30CR
	1"	14.750	21.250	3"	5.000	5.000	24.750	SBBC-30AL	SBBC-30SS & CR	BC-30CR
	1 1/4"	19.250	21.700	3"	5.000	5.500	29.750	SBBC-45AL	SBBC-45SS & CR	BC-45CR
	1 1/2"	19.750	21.700	3"	5.000	6.000	30.750	SBBC-45AL	SBBC-45SS & CR	BC-45CR
	2"	21.000	21.700	3"	5.000	7.500	33.500	SBBC-45AL	SBBC-45SS & CR	BC-45CR
375	2 1/2"	31.000	33.750	n/a	n/a	17.000	48.000	SBBC-60ALHP	SBBC-75SS & CR	BC-75CR
	3"	32.000	34.750	n/a	n/a	18.500	50.500	SBBC-60ALHP	SBBC-75SS & CR	BC-75CR
	4"	37.625	37.000	n/a	n/a	22.000	59.625	SBBC-75ALHP	SBBC-75SS & CR	BC-75CR
	6"	44.750	49.000	n/a	n/a	27.000	71.750	SBBC-90ALHP	N/A	N/A
975XL/XLSE	3/4"	12.000	20.250	3"	5.000	4.000	21.000	SBBC-30AL	SBBC-30SS & CR	BC-30CR
	1"	13.000	20.250	3"	5.000	5.000	23.000	SBBC-30AL	SBBC-30SS & CR	BC-30CR
	1 1/4"	17.000	23.625	3"	5.000	5.500	27.500	SBBC-45AL	SBBC-45SS & CR	BC-45CR
	1 1/2"	17.500	23.625	3"	5.000	6.000	28.500	SBBC-45AL	SBBC-45SS & CR	BC-45CR
	2"	18.625	23.625	3"	5.000	7.500	31.125	SBBC-45AL	SBBC-45SS & CR	BC-45CR
475 NRS	2 1/2"	33.500	24.750	n/a	n/a	n/a	33.500	SBBC-40ALHP	SBBC-40SS & CR	BC-75CR
	3"	34.500	26.000	n/a	n/a	n/a	34.500	SBBC-40ALHP	SBBC-40SS & CR	BC-75CR
	4"	19.750	29.000	n/a	n/a	n/a	19.750	SBBC-40ALHP	SBBC-40SS & CR	BC-75CR
	6"	26.000	34.500	n/a	n/a	n/a	26.000	SBBC-40WALHP	N/A	N/A

Maximum Inside Clearance For Aluminum Strong Box Covers			Maximum Inside Clearance For Smooth Touch Strong Box Covers			Maximum Inside Clearance For Expanded Metal Strong Box Covers			
SBBC-30AL	26.0"	SBBC-40ALHP	36.0"	SBBC-20SS	18.0"	SBBC-45SS & CR	40.5"	BC-30CR	27.0"
SBBC-45AL	40.5"	SBBC-60ALHP	56.0"	SBBC-30SS & CR	26.0"	SBBC-75SS & CR	72.0"	BC-45CR	42.0"
SBBC-60AL	55.0"	SBBC-90ALHP	86.0"	SBBC-40SS & CR	38.0"			BC-75CR	72.0"