

FITTINGS

Lateral 90°

1½", 2", 2½" and 3"

DUCTILE
IRON

Transition from Mainline to Lateral Depth

Application and Description

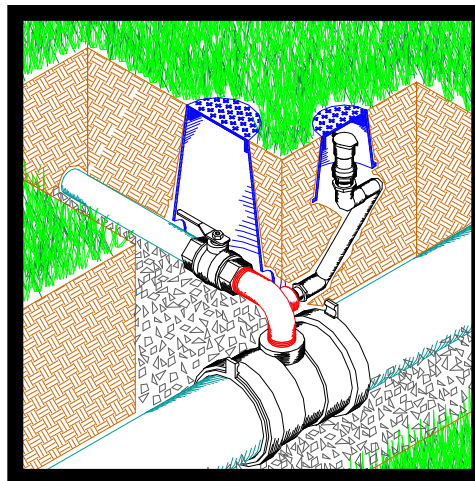
The HARCO Lateral 90° is designed to connect irrigation laterals to mainlines and provide a change in elevation while providing a convenient connection for you NPT isolation valve. High-strength ductile iron eliminates the aggravation and expense associated with repairing pipe and fittings that break at this high-stress area in golf and commercial irrigation systems. Using HARCO ductile iron nipples and threaded couplings, Lateral 90° can reach any height to provide ideal lateral depth. The sweep configuration allows for minimal friction loss during the transition. With the ability to tap the side for a 1" swing joint, Lateral 90° provides convenient quick coupler connection to the "hot side" of the isolation valve.

Options

The Lateral 90° has a side outlet tap to provide a connection port for a quick coupler valve swing joint.

Features and Benefits

The ductile iron material used to make the HARCO Lateral 90° is ASTM A-536 with tensile strength of 45,000 psi. This eliminates the breakage of PVC fittings and nipples caused by the high torque applied during the closing and opening of valves. The high corrosion resistance of this material is not found in black or galvanized steel fitting. Because the Lateral 90° provides a one-piece connection from the main line to the lateral line, fewer joints are subject to leakage. Additionally, the long turn radius reduces head loss at the 90° bend.



Lateral 90° shown *with* optional side outlet tapped for quick coupler swing joint.

*Eliminates
Breakage of
PVC Fittings
& Nipples*

*Made of
Corrosion-
Resistant
Ductile Iron*

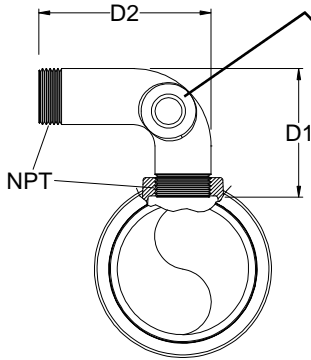
*One-Piece
Connection
from
Mainline to
Lateral Line*

*Reduces
Leakage*

*Long Turn
Radius
Reduces
Head Loss*



Product Data

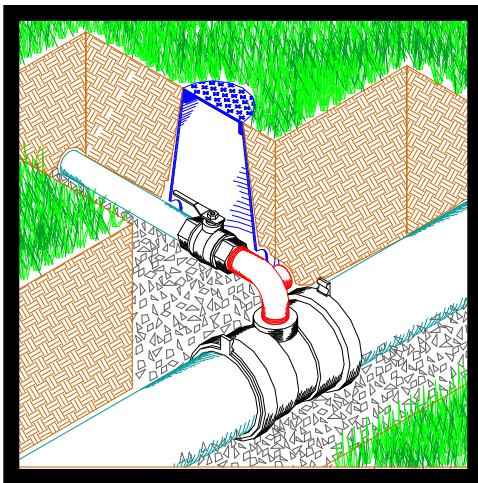


Optional quick coupler swing joint connection port. If option ordered, will be furnished with 1" tap. Lateral 90s ordered without optional tap can be tapped by local machine shop.

Product Data

SIZE	PART NUMBER	1" NPT SIDE OUTLET TAP?	D1	D2	WT.
1½"	80088	No	6	8	12
1½" x 1"	80082	Yes	6	8	19
2"	80188	No	6	8	27
2" x 1"	801882	Yes	6	8	38
2½"	80288	No	6	8	40
2½" x 1"	802882	Yes	6	8	26
3	80388	No	6	8	40
3 x 1	803882	Yes	6	8	53

Application Detail



Lateral 90° shown *without* optional side outlet tapped for quick coupler swing joint.

Height of lateral 90 "legs" are 6" and 8" and produce an elevation change of 6" or 8" from top of mainline pipe to top of lateral pipe. Height is selected at time of installation.

Please Note: HARCO is producing ductile iron nipples 1½", 2", 2½" and 3" diameters from 2" up to 14" long. This will allow vertical heights in 2" increments up to 22" when used with the Lateral 90°.

**DUCTILE
IRON**

*Eliminates
Breakage of
PVC Fittings
& Nipples*

*Made of
Corrosion-
Resistant
Ductile Iron*

*One-Piece
Connection
from
Mainline to
Lateral Line*

*Reduces
Leakage*

*Long Turn
Radius
Reduces
Head Loss*



HARRINGTON CORPORATION • P.O. BOX 10335 • LYNCHBURG, VIRGINIA 24506

PHONE: 434-845-7094 • FAX: 434-845-8562 • E-MAIL: sales@harcofittings.com • WEB: www.harcofittings.com

PF130-100804