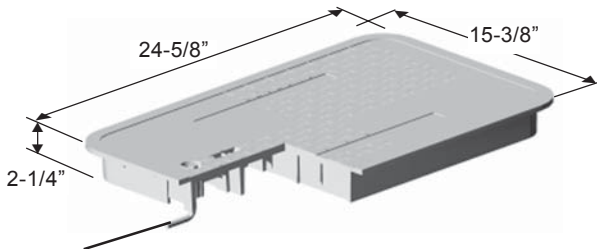
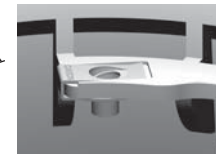
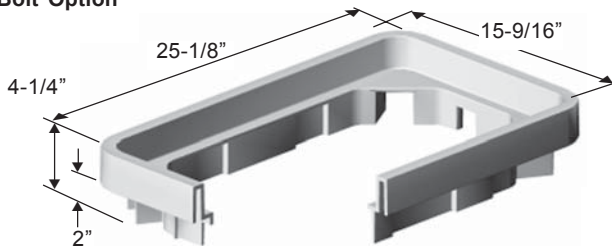


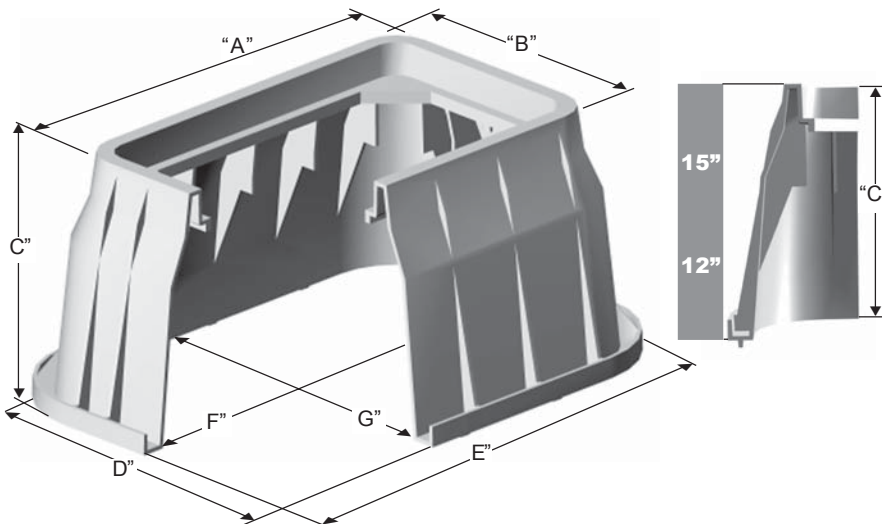
Optional Water Meter Reader



L-Bolt Option



Bolt Down Loc-Kit™  
(Patent Pending)  
Included



	A	B	C	D	E	F	G
1324-12	25-3/8" (645 mm)	15-15/16" (405 mm)	12" (305 mm)	22-5/8" (575 mm)	32-1/16" (814 mm)	28-15/16" (735 mm)	19-1/2" (495 mm)
1324-15	25-1/4" (641 mm)	15-3/4" (400 mm)	15-1/4" (387 mm)	23-5/16" (592 mm)	32-3/4" (832 mm)	29-5/8" (752 mm)	20-3/16" (513 mm)

**FLUSH COVER**

**Models:**

- 1324-3B Bolt Down
- 1324-3L Captive L-Bolt Lock
- 1324-5B Bolt Down with Plastic Reader
- 1324-5L L-Bolt with Plastic Reader
- 1324-6B Bolt Down with Cast Iron Reader
- 1324-6L L-Bolt with Cast Iron Reader

**T-COVER**

**Models:**

- 1324-4B Bolt Down
- 1324-4L Captive L-Bolt Lock

**GRADE RING**

**Model:**

- 1324\*\*2RH  
Green/Gray

**BODIES**

**Models:**

- 1324-12
- 1324-15

**COLORS AVAILABLE:** Green, Gray, Black, Tan or Violet/Lavender

**Note:** For use in non-vehicular traffic situations only. We do not recommend installation in concrete or asphalt. Weights and dimensions may vary slightly.

All information contained in this brochure was current at the time of printing. Because of Carson Industries' policy of ongoing research and development, the Company reserves the right to discontinue or update product information without notice.

Specification Grade

# 1324

*Super Jumbo*

**Carson Industries, LLC**

1160 Nicole Court  
Glendora, CA 91740  
800-735-5566 • 909-592-6272  
Fax: 909-592-7971  
www.carsonind.com

## HDPE Structural Foam

### RAW MATERIAL SPECIFICATIONS

Material Property	ASTM Test Method	Typical Value <sup>1</sup>
Type, Class, Category	D 1248	III, A, 3
Density, g/ cm <sup>3</sup>	D 1505	0.950 min., not to exceed 0.965
Tensile Strength, at break, psi	D 638	3,000 to 4,400
Elongation, at break, %	D 638	400
Tensile Impact, ft-lb/in <sup>2</sup>	D 1822	27
Flexural Modulus, psi	D 790	120,000 min., not to exceed 240,000
Low Temperature Brittleness, F50, at °C	D 746	<-76
Hardness, Shore D	D 2240	66
Deflection Temperature, at 66 psi	D 648	150° min., not to exceed 200°
Electrical Dielectric Strength, V/mil	D 149	400 min., not to exceed 600

### Molded Product<sup>2</sup>

Chemical Resistance	D 543	Very Resistant
Water Absorption	D 570	Less than 1% weight change

<sup>1</sup>The values listed for physical property measurements are nominal values only. Certain physical property measurements are subject to variations consistent with the test methods and are within a generally accepted range for such values.

<sup>2</sup>Test reports available on request.

12/18/02

### SHIPPING INFORMATION

All information contained in this brochure was current at the time of printing. Because of Carson Industries' policy of ongoing research and development, the Company reserves the right to discontinue or update product information without notice.

### Weight

1324-3B,-3L,-4B,-4L Covers	6 lbs.
1324**2RH Grade Ring	4 lbs.
1324-12 Body	16 lbs.
1324-15 Body	20 lbs.

### Shipping Configuration

1324-12: Unit, 16 assemblies = 42.6 cu. ft.; 413.0 lbs.
1324-15: Unit, 16 assemblies = 49.75 cu. ft.; 430.0 lbs.