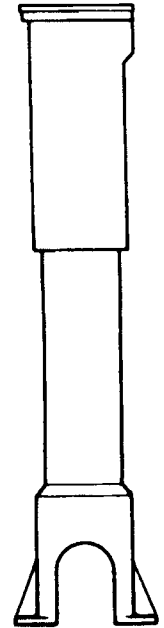


# Tyler/Union

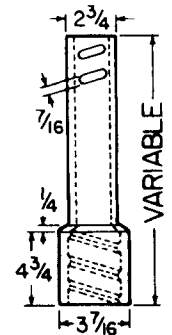
**CAST IRON SERVICE BOXES, ADJUSTABLE**  
Accommodates 2" through 1 1/4" curbstops; enlarged base  
Accommodates 2" curbstops; 2 1/2" shaft - screw type

## 6500 SERIES, SCREW TYPE WITH WATER LID

Box (Components)	UPC 67610	Ship Code	Extension In Inches	Weight
89-A (12T & 12B)	146681	S	15-21	20
90-B (12T & 15B)	146742	S	18-24	21
90-C (15T & 15B)	146803	S	21-27	22
91-C (15T & 21B)	146865	S	24-33	24
92-C (15T & 27B)	146926	S	30-39	26
92-D (18T & 27B)	146988	S	30-42	28
93-D (18T & 33B)	147046	S	36-48	32
93-E (24T & 33B)	147114	S	36-54	37
94-E (24T & 39B)	147183	S	42-60	41
95-E (30T & 39B)	147251	S	41-64	44
100-E (24T & 21B & #154 Ext)	147312	S	54-72	50
100-F (30T & 21B & #154 Ext)	147381	S	54-78	53
101-F (30T & 27B & #154 Ext)	147459	S	60-84	55

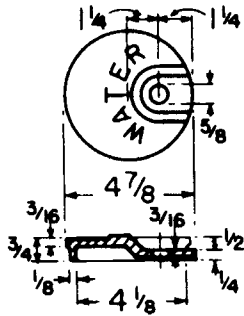


Box Assembled

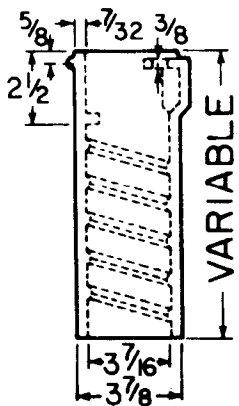


### EXTENSION

Item	Height Increase
151	9
152	16
153	28
154	30

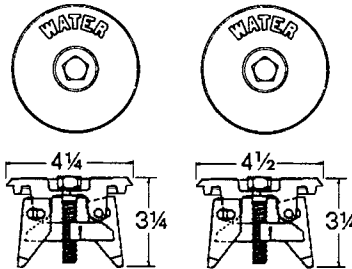


Lid



### TOP SECTION WITH WATER LID

Item	UPC 67610	Ship Code	Weight
12T	147510	S	11
15T	147589	S	12
18T	147640	S	14
24T	147701	S	19
30T	147763	S	22

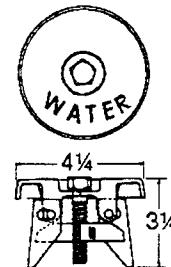


(New Style) Repair Lid

(Old Style) Repair Lid

### BOTTOM ONLY

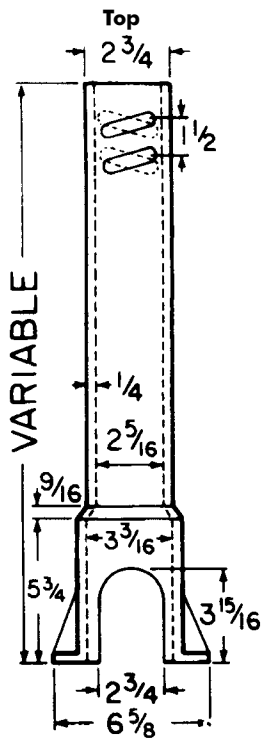
Item	UPC 67610	Ship Code	Weight
12B	144670	S	9
15B	144687	S	10
21B	144694	S	12
27B	144700	S	14
33B	144717	S	18
39B	144724	S	22



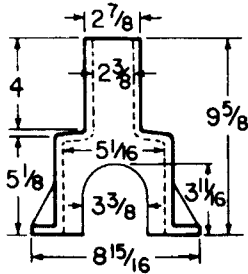
(Outside Cover) Repair Lid

### 6500 SERIES PARTS

Item	UPC 67610	Ship Code	Wt.
151 Ext	144762	S	7.0
152 Ext	144779	S	12.0
153 Ext	144786	S	17.0
154 Ext	144793	S	19.0
Enlarged Base	144809	S	8.0
2 1/2" "Water Lid"	144830	S	1.0
Brass Screw (Std. WW Pentagon)	144816	S	...
Wrench (Std. WW Pentagon)	144908	S	0.5
2 1/2" "Repair Lid Old"	144915	S	4.5
2 1/2" "Repair Lid New"	144922	S	4.5
2 1/2" "Repair Lid Outside Cover"	381518	S	4.5

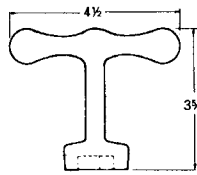


Bottom



### ENLARGED BASE For 2" Curbstop

Item	Height Increase
6500	6"



Wrench



Brass Screw

Std. WW Pentagon

# Tyler/Union

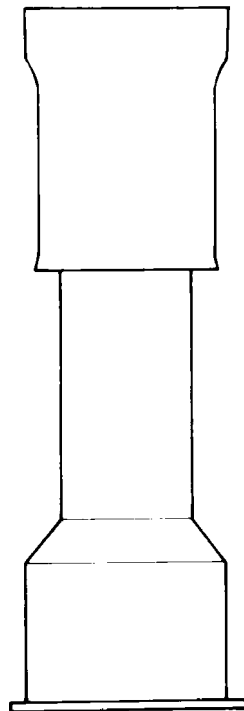
## 6850 SERIES CAST IRON TWO-PIECE VALVE BOXES for 4" through 12" valves, 5 1/4" shaft, screw-type

New ways to save on valve boxes. Eliminate extra handling by buying pre-assembled units. Save on single parts and accessories. Lower unit cost by purchasing Valu-Paks of 30 to 80 pieces of tops and bottoms in crates. See list price sheet for pricing details.

### THREE WAYS TO SAVE 6850 VALVE BOX

Level 1 Boxes Assembled	Level 2 Individual Parts Not Assembled	Level 3 VALU-PAK Parts Not Assembled
-------------------------------	--	--

Note: A "BOX" is one top and one bottom

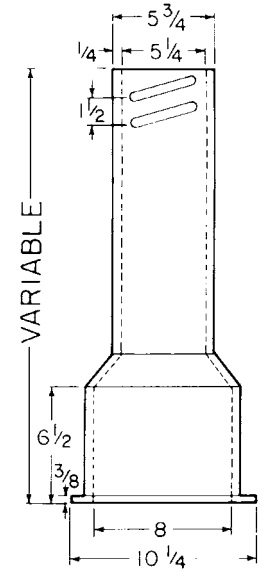
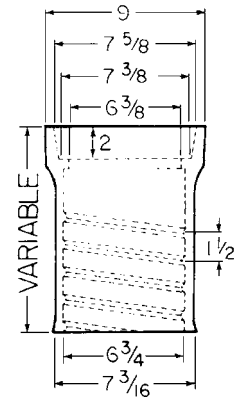


Box Assembled

### LEVEL ONE: BOXES ASSEMBLED LESS LIDS

Box (Components)	Extension Height	UPC No. 670610	Weight
461-S (10T + 15B)	19-22	(Not Offered Assembled)	
462-S (10T + 24B)	27-32	(Not Offered Assembled)	
562-S (16T + 24B)	27-37	145790	71
563-S (1 6T + 30B)	33-43	145752	78
564-S (1 6T + 36B)	39-50	145806	85
662-S (26T + 30B)	36-52	145769	93
664-S (26T + 36B)	39-60	145813	100
666-S (26T + 24B + #60 Ext)	51-71	(Not Offered Assembled)	
668-S (26T + 36B + #60 Ext)	62-82	(Not Offered Assembled)	

Level Two Top



Level Two Bottom

Lids marked "WATER" will ship unless otherwise specified:

Also available 5 1/4" Drop Lids"

WATER OMA  
SEWER  
MWW  
(PLAIN)  
GAS

# Tyler/Union

## 6850 SERIES CAST IRON TWO-PIECE VALVE BOXES for 4" through 12" valves, 5 1/4" shaft, screw-type

### LEVEL TWO - Parts Not Assembled/Less Lids

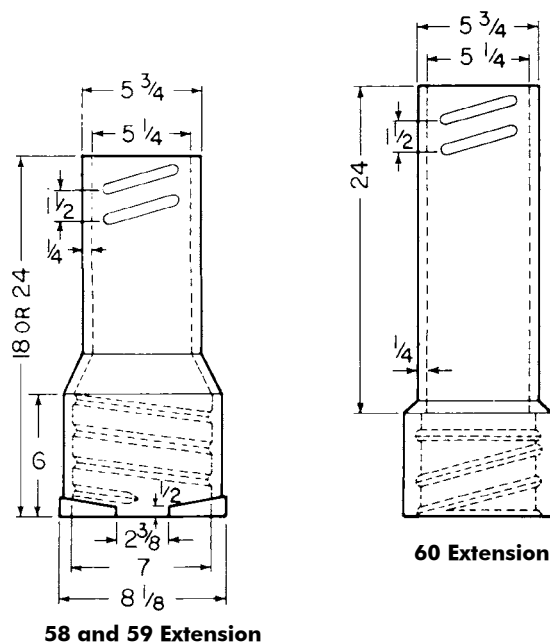
#### TOPS & BOTTOMS

Box (Components)	Assy Height	Tops (less lids)				Bottoms			Extensions
		UPC No. 670610	Lgt	Wt	UPC No. 670610	Lgt	Wt	UPC No. 670610	
461-S (10T + 15B)	19-22	144939	10T	22	145004	15B	27		
462-S (10T + 24B)	27-32	144939	10T	22	145011	24B	35		
562-S (16T + 24B)	27-37	144946	16T	36	145011	24B	35		
563-S (16T + 30B)	33-43	144946	16T	36	144991	30B	42		
564-S (16T - 36B)	39-50	144946	16T	36	145028	36B	49		
662-S (26T - 30B)	36-52	144953	26T	51	144991	30B	42		
664-S (26T + 36B)	39-60	144953	26T	51	145028	36B	49		
666-S (26T + 24B + #60 Ext)	51-71	144953	26T	51	*145011	24B	35	145059	
668-S (26T + 36B + #60 Ext)	62-82	144953	26T	51	*145028	36B	49	145059	

\* 6850 Bottoms

#### EXTENSIONS

Item/Description	UPC No. 670610	Height Increase	Wt
#58 Screw-Type	145141	14	29
#59 Screw-Type	145158	18	30
#60 Screw-Type	145059	24	37



### LEVEL THREE - Crates of tops and bottoms, not assembled, less lids. Easy to handle, ships from stock.

#### TOPS OR BOTTOMS

Box (Components)	Assy Height	Tops (less lids)				Bottoms			
		UPC No. 670610	Lgt	Wt	Qty	UPC No. 670610	Lgt	Wt	Qty
461-S (10T + 15 B)	19-22	376910	10T	1840	80	376941	15B	1080	40
462-S (10T + 24B)	27-32	376910	10T	1840	80	376958	24B	1050	30
562-S (16T + 24B)	27-37	376927	16T	2160	60	376958	24B	1050	30
563-S (16T + 30B)	33-43	376927	16T	2160	60	376965	30B	1260	30
564-S (16T + 36B)	39-50	376927	16T	2160	60	376972	36B	1470	30
662-S (26T + 30B)	36-52	376934	26T	1530	30	376965	30B	1260	30
664-S (26T + 36B)	39-60	376934	26T	1530	30	376972	36B	1470	30
666-S (26T + 24B + #60 Ext)	*51-71	376934	26T	1530	30	*376958	24B	1050	30
668-S (26T + 36B + #60 Ext)	*62-82	376934	26T	1530	30	*376972	36B	1470	30

\*Extensions (Required on 666-S & 668-S)

\*6850 Bottoms

#60 Screw-Type				
24" Height Increase	376989	1080	30	

**NOTES:** To get equal numbers, order two crates of bottoms for each crate of tops for 461S, 562S, 563S and 564S.

Order lids separately, see above.

# Tyler/Union

## 6855 SERIES CAST IRON TWO-PIECE VALVE BOXES for 4" through 12" valves, 5 1/4" shaft, slip-type

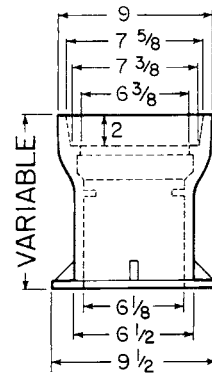
New ways to save on valve boxes. Eliminate extra handling by buying pre-assembled units. Save on single parts and accessories. Lower unit cost by purchasing Valu-Paks of 30 to 80 pieces of tops and bottoms in crates. See list price sheet for pricing details.

### THREE WAYS TO SAVE 6855 VALVE BOX

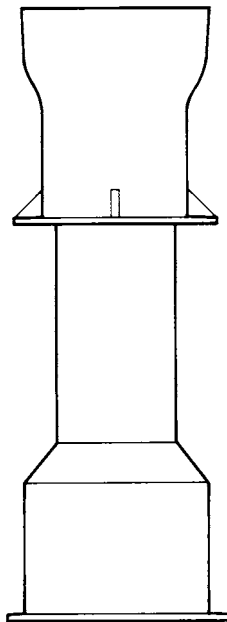
Level 1 Boxes Assembled	Level 2 Individual Parts Not Assembled	Level 3 VALU-PAK Parts Not Assembled
-------------------------------	--	--

Note: A "BOX" is one top and one bottom

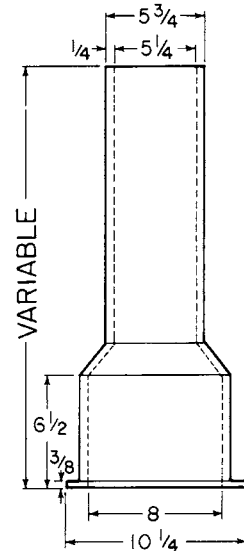
Level Two Top



### LEVEL ONE Boxes Assembled/Less Lid



Box Assembled



Level Two Bottom

### LEVEL ONE: BOXES ASSEMBLED LESS LIDS

Box (Components)	Extension Height	UPC No. 670610	Weight
461-A (10T + 15B)	19-22	(Not Offered Assembled)	
462-A (10T + 24B)	27-32	(Not Offered Assembled)	
562-A (16T + 24B)	27-37	145868	72
563-A (16T + 30B)	33-43	145714	81
564-A (16T + 36B)	39-50	145875	83
662-A (26T + 30B)	36-52	145721	97
664-A (26T + 36B)	39-60	145882	99
666-A (26T + 24B + #60 Ext)	51-71	(Not Offered Assembled)	
668-A (26T + 36B + #60 Ext)	62-82	(Not Offered Assembled)	

Lids marked "WATER" will ship unless otherwise specified:  
Also available 5 1/4" Drop Lids"

WATER OMA  
SEWER  
MWW  
(PLAIN)  
GAS

# Tyler/Union

## 6855 SERIES CAST IRON TWO-PIECE VALVE BOXES for 4" through 12" valves, 5 1/4" shaft, slip-type

### LEVEL TWO - Parts Not Assembled/Less Lids

#### TOPS & BOTTOMS

Box (Components)	Assy Height	Tops (less lids)			Bottoms			Extensions
		UPC No. 670610	Lgt	Wt	UPC No. 670610	Lgt	Wt	UPC No. 670610
461-A (10T + 15B)	19-22	144960	10T	29	145073	15B	26	
462-A (10T + 24B)	27-32	144960	10T	29	145080	24B	36	
562-A (16T + 24B)	27-37	144977	16T	36	145080	24B	36	
563-A (16T + 30B)	33-43	144977	16T	36	145127	30B	45	
564-A (16T - 36B)	39-50	144977	16T	36	145097	36B	47	
662-A (26T - 30B)	36-52	144984	26T	52	145127	30B	45	
664-A (26T + 36B)	39-60	144984	26T	52	145097	36B	47	
666-A (26T + 24B + #60 Ext)	51-71	144984	26T	52	*145011	24B	35	145066
668-A (26T + 36B + #60 Ext)	62-82	144984	26T	52	*145028	36B	49	145066

\*NOTE: These are 6850 Bottoms used to accommodate the interior threads of the applicable extensions.

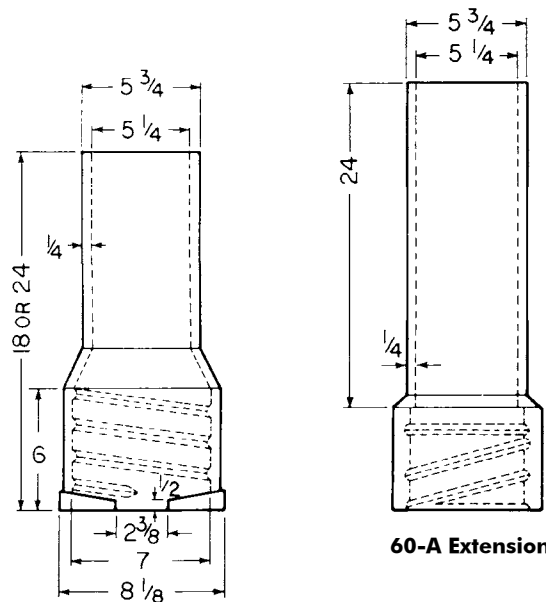
#### LIDS & RISERS

All Lids ..... Page 44

All Risers ..... Page 45

#### EXTENSIONS

Item/Description	UPC No. 670610	Height Increase	Wt
#58-A Slip-Type	145233	14	29
#59-A Slip-Type	145240	18	30
#60-A Slip-Type	145066	24	36



58-A and 59-A Extension

60-A Extension

### LEVEL THREE - Crates of tops and bottoms, not assembled, less lids. Easy to handle, ships from stock.

#### TOPS OR BOTTOMS

Box (Components)	Assy Height	Tops (less lids)				Bottoms			
		UPC No. 670610	Lgt	Wt	Qty	UPC No. 670610	Lgt	Wt	Qty
461-A (10T + 15 B)	19-22	376996	10T	2320	80	372023	15B	1040	40
462-A (10T + 24B)	27-32	376996	10T	2320	80	377030	24B	1080	30
562-A (16T + 24B)	27-37	377009	16T	1080	30	377030	24B	1080	30
563-A (16T + 30B)	33-43	377009	16T	1080	30	377047	30B	1350	30
564-A (16T + 36B)	39-50	377009	16T	1080	30	377054	36B	1410	30
662-A (26T + 30B)	36-52	377016	26T	1560	30	377047	30B	1350	30
664-A (26T + 36B)	39-60	377016	26T	1560	30	377054	36B	1410	30
666-A (26T + 24B + #60 Ext)	*51-71	377016	26T	1560	30	*376958	24B	1050	30
668-A (26T + 36B + #60 Ext)	*62-82	377016	26T	1560	30	*376972	36B	1470	30

\*Extensions (Required on 666-A & 668-A)

\* See Note Above.

#### #60-A Slip-Type

24" Height Increase                      377061                      1080      30

NOTES: To get equal numbers, order two crates of bottoms for each crate of tops for 461A, 562A, 563A and 564A.

Order lids separately, see above.

# Tyler/Union

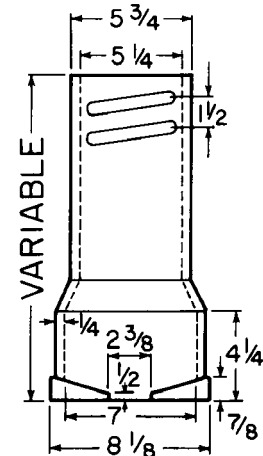
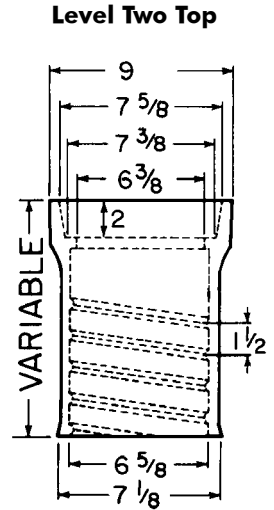
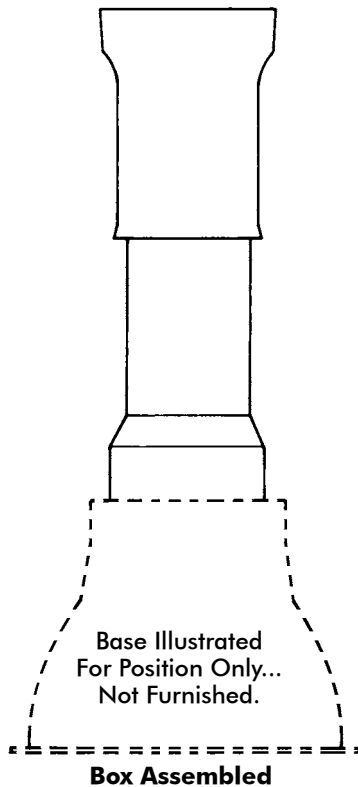
## 6860 SERIES CAST IRON THREE-PIECE VALVE BOXES for 3" through 20" valves, 5 1/4" shaft, screw-type (Base required, order separately)

New ways to save on valve boxes. Eliminate extra handling by buying pre-assembled units. Save on single parts and accessories. Lower unit cost by purchasing Valu-Paks of 30 to 80 pieces of tops and bottoms in crates. See list price sheet for pricing details.

THREE WAYS TO SAVE 6860 VALVE BOX		
Level 1 Boxes Assembled	Level 2 Individual Parts Not Assembled	Level 3 VALU-PAK Parts Not Assembled
Note: A "BOX" is one top and one bottom		

### LEVEL ONE

#### Boxes Assembled/Less Base and Lid



Level Two Bottom

#### LEVEL ONE: BOXES ASSEMBLED LESS BASES AND LIDS

Box (Components)	Extension Height	UPC No. 670610	Weight
AA (10T + 12B)	27-37	(Not Offered Assembled)	
A (16T + 18B)	33-42	(Not Offered Assembled)	
B (16T + 24B)	39-49	145936	69
C (16T + 30B)	45-54	145943	73
CC (16T + 36B)	51-60	145950	75
D (26T + 30B)	45-66	145967	88
DD (26T + 36B)	51-72	145974	90
E (16T + 24B + #60 Ext)	63-72	(Not Offered Assembled)	
F (26T + 24B + #60 Ext)	63-84	(Not Offered Assembled)	
G (26T + 36B + #60 Ext)	74-94	(Not Offered Assembled)	

Lids marked "WATER" will ship unless otherwise specified:

Also available 5 1/4" Drop Lids"

WATER OMA

SEWER

MWW

(PLAIN)

GAS

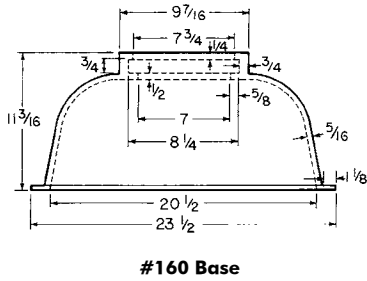
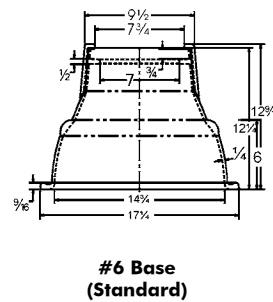
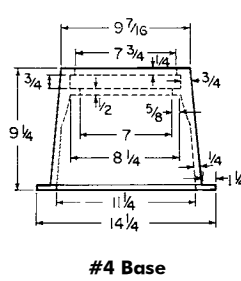
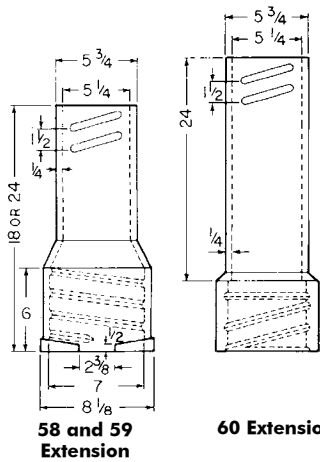
# Tyler/Union

LEVEL TWO - Parts Not Assembled/Less Lids

**6860 SERIES**  
**CAST IRON THREE-PIECE VALVE BOXES**  
 for 3" through 20" valves, 5 1/4" shaft, screw-type  
 (Base required, order separately)

**TOPS & BOTTOMS**

Box (Components)	Assy Height	Tops (less lids)				Bottoms			Extensions
		UPC No. 670610	Lgt	Wt	UPC No. 670610	Lgt	Wt	UPC No. 670610	
AA (10T + 12B)	27-31	144939	10T	23	145134	12B	19		
A (10T + 18B)	33-42	144946	10T	36	145141	18B	29		
B (16T + 24B)	39-49	144946	16T	36	145158	24B	33		
C (16T + 30B)	45-54	144946	16T	36	145165	30B	37		
CC (16T - 36B)	51-60	144946	16T	36	145172	36B	39		
D (26T - 30B)	45-66	144953	26T	51	145165	30B	37		
DD (26T + 36B)	51-72	144953	26T	51	145172	36B	39		
E (16T + 24B + #60 Ext)	63-72	144946	26T	36	145158	24B	33		
F (26T + 24B + #60 Ext)	63-84	144953	26T	51	145158	24B	33	145059	
G (26T + 36B + #60)	74-94	144953	26T	51	145172	36B	39	145059	



**EXTENSIONS**

Item/Description	UPC No. 670610	Height Increase	Wt
#58 Screw-Type	145141	14	29
#59 Screw-Type	145158	18	30
#60 Screw-Type	145059	24	37

**LIDS & EXTENSIONS**  
 Lids..... Page 44  
 Extensions..... Page 37

**BASES**

Item/Description	UPC No. 670610	Wt
#4, 11 1/4" Wide	145653	34
#6, 14 3/4" Wide	145660	45
#160, 20 1/2" Wide	145684	68

**LEVEL THREE - Crates of tops and bottoms, not assembled, less lids. Easy to handle, ships from stock.**

**TOPS OR BOTTOMS**

Box (Components)	Tops (less lids)				Bottoms			
	UPC No. 670610	Lgt	Wt	Qty	UPC No. 670610	Lgt	Wt	Qty
AA (10T + 12 B)	376910	10T	1840	80	377078	12B	1520	80
A (16T + 18B)	376927	16T	2160	60	377085	18B	1740	60
B (16T + 24B)	376927	16T	2160	60	377092	24B	990	30
C (16T + 30B)	376927	16T	2160	60	377108	30B	1110	30
CC (16T + 36B)	376927	16T	2160	60	377115	36B	1170	30
D (26T + 30B)	376934	26T	1530	30	377108	30B	1100	30
DD (26T + 36B)	376934	26T	1530	30	377115	36B	1170	30
E (16T + 24B + #60 Ext)	376927	16T	2160	60	371092	24B	990	30
F (26T + 24B + #60 Ext)	376934	26T	1530	30	377092	24B	990	30
G (26T + 36B + #60 Ext)	376934	26T	1530	30	377115	36B	1170	30

**Extensions**

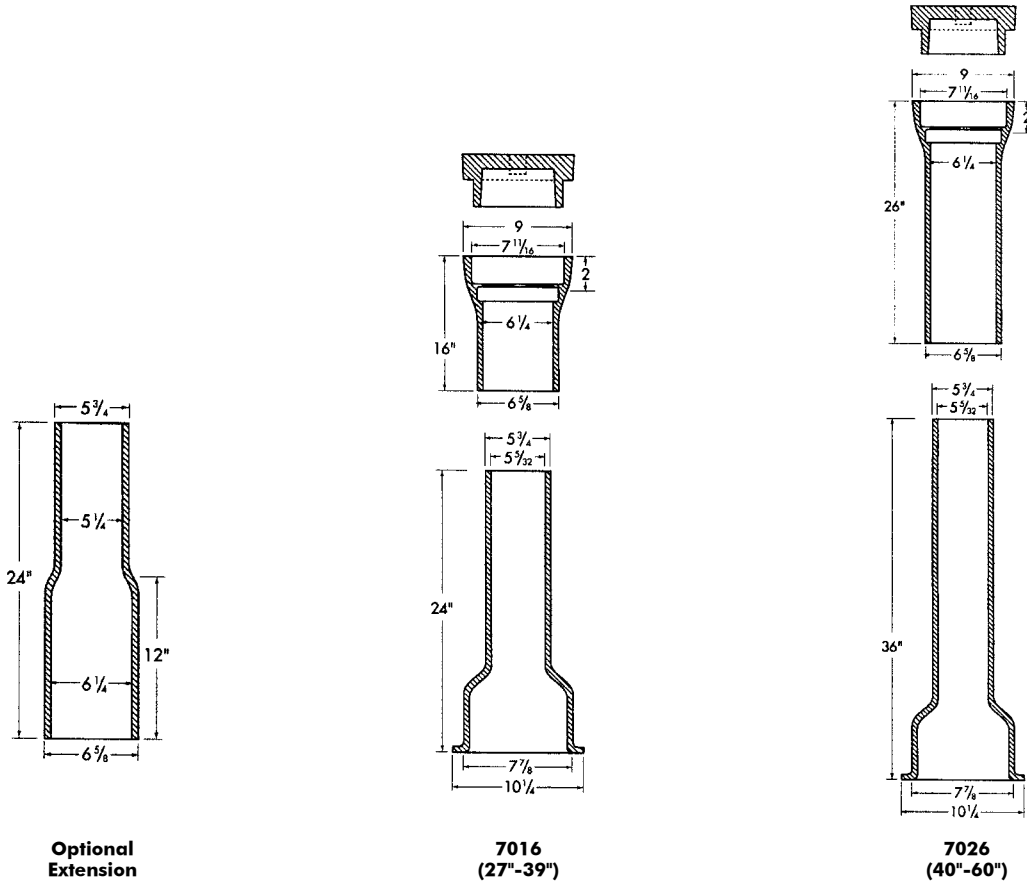
#60 Screw-Type 24" Height Increase	376989	1080	30
---------------------------------------	--------	------	----

NOTES: To get equal numbers, order two crates of bottoms for each crate of tops for B, C, CC and E only. Order bases and lids separately, see above.

# Tyler/Union

## 7000 SERIES TYLER TY-SPUN ADJUSTABLE VALVE BOX COMPLETE WITH O-RING

Sold Individually or in Valu-Paks of 12  
5 1/4" Water Lid Sold Separately



### 7016-7026 STANDARD (Individual Box)

Item	Assembly Height	UPC No. 670610	Each	Weight Each
7016 (16T + 24B)	27-39	376224	1	79
7026 (26T + 36B)	40-60	376231	1	106

### VALU-PAKS (12 per pack)

Item	Assembly Height	UPC No. 670610	Weight Bndl. (12)
7016 (16T) Top	16	382706	444
7026 (26T) Top	26	382737	588
7000 (24B) Bottom	24	382720	360
7000 (36B) Bottom	36	382751	540

### 7000 SERIES PARTS

Item	Height Increase	UPC No. 670610	Weight
Extension	24"	372981	28.0
*O-Ring	...	370390	0.2

\*O-Ring must be shipped with each extension piece.

Optional Lids ..... Page 44

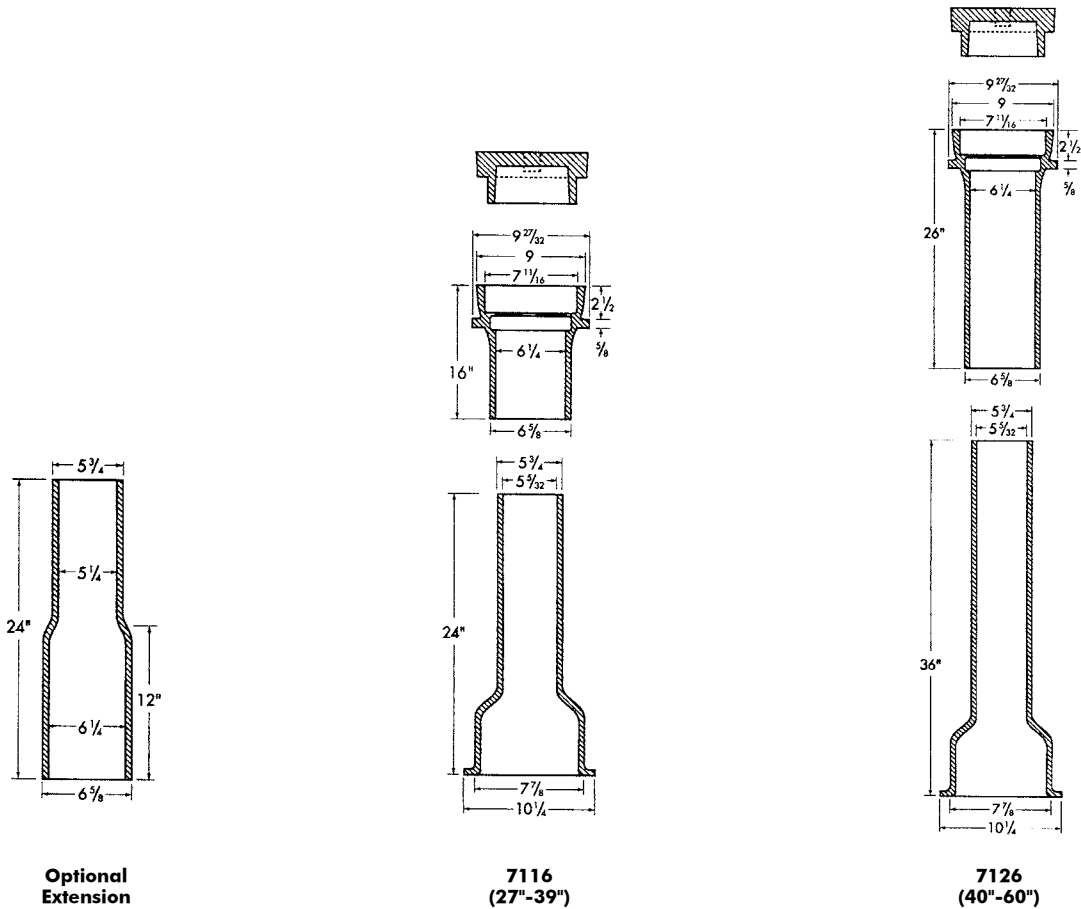
Risers ..... Page 45



# Tyler/Union

## 7100 SERIES TYLER TY-SPUN ADJUSTABLE VALVE BOX COMPLETE WITH O-RING

Sold Individually or in Valu-Paks of 12  
5 1/4" Water Lid Sold Separately



### 7116-7126 STANDARD (Individual Box)

Item	Assembly Height	UPC No. 670610	Each	Weight Each
7116 (16T + 24B)	27-39	376781	1	79
7126 (26T + 36B)	40-60	376798	1	106

### VALU-PAKS (12 per pack)

Item	Assembly Height	UPC No. 670610	Weight Bndl. (12)
7116 (16T) Top	16	382713	444
7126 (26T) Top	26	382744	588
7100 (24B) Bottom	24	382720	360
7100 (36B) Bottom	36	382751	540

### 7000 SERIES PARTS

Item	Height Increase	UPC No. 670610	Weight
Extension	24"	372981	28.0
*O-Ring	...	370390	0.2

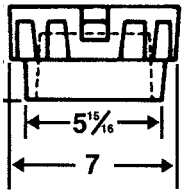
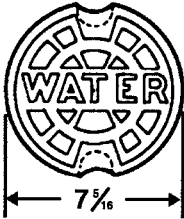
\*O-Ring must be shipped with each extension piece.

Optional Lids ..... Page 44

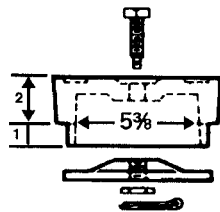
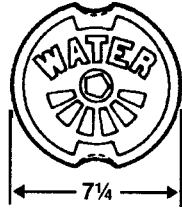
Risers ..... Page 45

# Tyler/Union

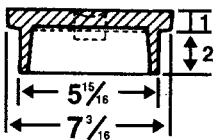
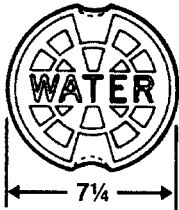
## STANDARD & SPECIAL DROP & LOCK LIDS



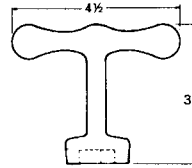
**Drop Lid**



**Lock Lid**

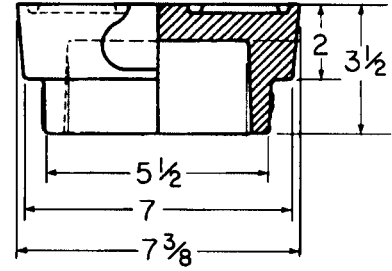


**1 1/8" Lid**



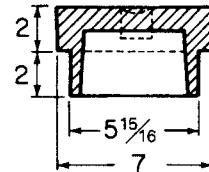
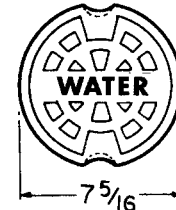
**WRENCH**  
Fits Standard Waterworks  
Pentagon Head 27/32" Brass  
Screws

UPC No.	Ship Code	Description	Weight
670610			
144908	S	Wrench	0.5



**5 1/4" MWW DROP LID**

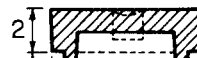
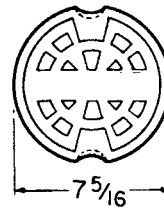
UPC No.	Weight
670610	12
145370	12



**5 1/4" OMA DROP LID**

UPC No.	Special Markings	Weight
670610		
145301	WATER OMA*	12

\*OMA marking is inside lid.



**5 1/4" DROP LID W/SPECIAL MARKINGS\***

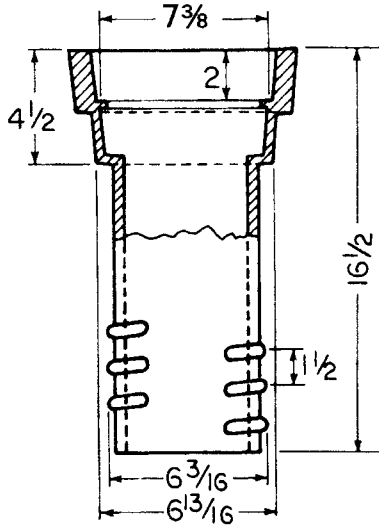
UPC No.	Special Mark	Weight
670610		
145332	GAS	12
145349	SEWER	12
145356	PLAIN	12

\*Lids marked with "WATER" will be shipped unless otherwise specified.

**LIDS ("WATER")**

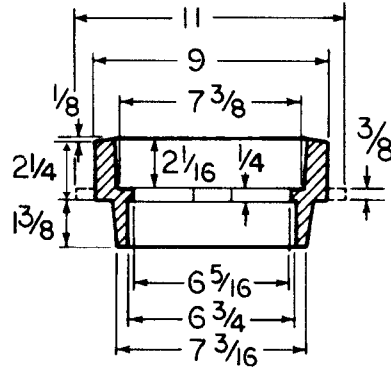
Item/Description	UPC No.	Weight
5 1/4 Drop Lid	145325	12
5 1/4 Lock Lid	145462	11
1 1/8 Lid*	145509	11

\*Use with 1 1/8" Riser Only.

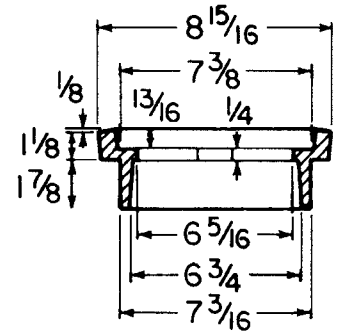


**#69 SCREW TYPE ADJUSTABLE RISER  
FOR 6850/60 SERIES  
(Uses Standard Drop Lid)**

UPC No.	Height Increase	Weight
670610	2 1/2" - 9"	29



**5 1/4" x 2 1/4" Riser  
(Uses Standard 5 1/4"  
Drop Lid)**

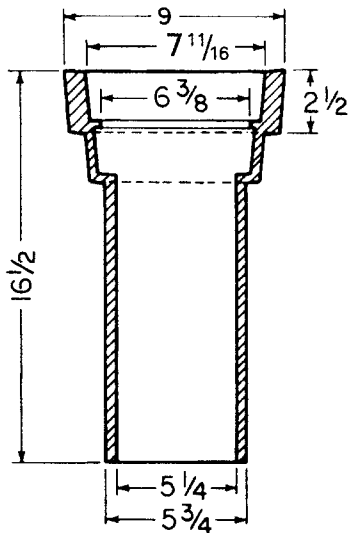


**5 1/4" x 1 1/8" Riser  
(Requires 1 1/8" Riser Lid)**

**RISERS**

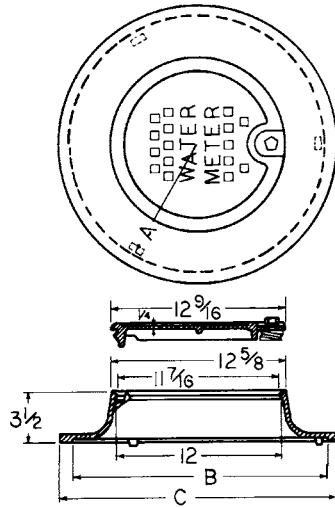
Item/Description	UPC No.	Height Increase	Weight
5 1/4 x 1 1/8 Slip-In*	145554	1 1/8"	8
5 1/4 x 2 1/4 Slip-In	145547	2 1/4"	14

\*Use with 1 1/8" Lid Only.

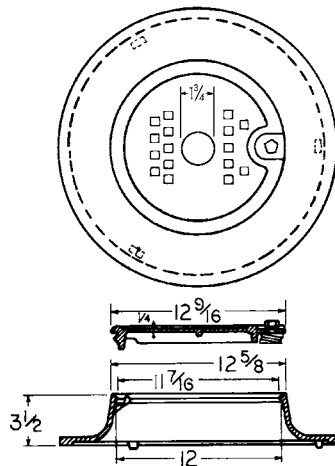


**#69-A SLIP TYPE ADJUSTABLE RISER  
FOR 6855 SERIES  
(Uses Standard Drop Lid)**

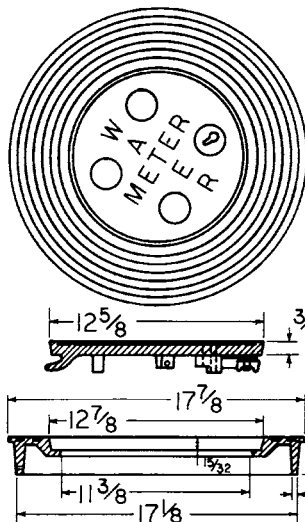
UPC No.	Height Increase	Weight
148241	2 1/2" - 12"	29



6150 Meter Box Cover



6150TR Meter Cover



6200 Meter Cover

**6150 & 6150TR METER COVERS,  
CAST IRON**

Description	A	B	C
18-in. 6150 Series	8 <sup>3</sup> / <sub>4</sub>	18	20
20-in. 6150	9 <sup>3</sup> / <sub>4</sub>	20	22

UPC No	Ship Code	Description	Weight
670610			
148449	S	6150-18 Ring & Lid B/L*	39
148456	S	6150-18 Ring & Lid B/S	39
148647	S	6150-18 Ring Only	27
148494	S	6150-18/20 Lid With Lock B/L*	13
148593	S	61 50-L-1 8/20 Lid Less Lock	14
148500	S	6150-18/20 Lid With Lock B/S*	13
148463	S	6150-20 Ring & Lid B/L*	41
148470	S	6150-20 Ring & Lid B/S*	41
148630	S	6150-R-20 Ring Only	29

\*B/L = Large Bolts (1-1/32"); B/S = Small Bolts (27/32" Standard)

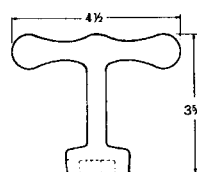
**6150TR (TOUCH-READER) METER COVERS CAST IRON**

UPC No	Ship Code	Description	Weight
670610			
148531	S	6150-18 TR Ring & Lid B/L"	39
148524	S	6150-18 TR Ring & Lid B/S*	39
148579	S	6150-18/20 TR Lid With Lock B/L*	13
148562	S	6150-18/20 TR Lid With Lock B/S*	13
148586	S	6150-18/20 TR Lid Less Lock	12
148555	S	6150-20 TR Ring & Lid B/L*	41
148548	S	6150-20 TR Ring & Lid B/S*	41

\*B/L = Large Bolts (1-1/32"); B/S = Small Bolts (27/32")  
NOTE: 6150TR - Same dimensions as 6150, plus a 1-27/32" access hole in lid.

**6200 METER COVER, CAST IRON**

UPC No	Ship Code	Description	Weight
670610			
148708	S	6200 Ring & Lid Less Lock	28
148760	S	6200-R Ring Only	18
148739	S	6200-L Lid Less Lock	13
148722	S	6200-L Lid With Lock	11



**WRENCH  
Fits Standard Waterworks  
Pentagon Head 27/32" Brass Screws**

UPC No	Ship Code	Description	Weight
670610			
144908	S	Wrench	0.5